

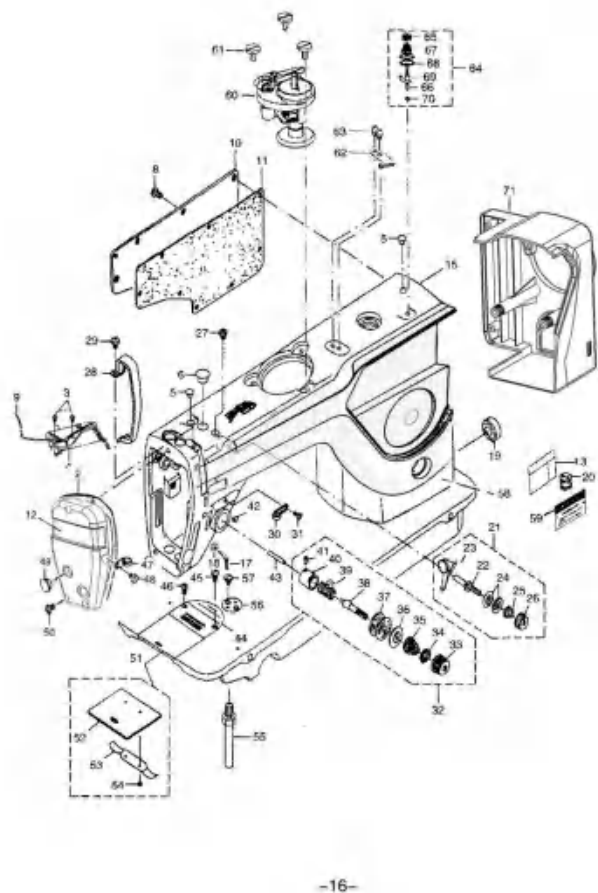




# 零件手册 PARTS BOOK

选购零件时, 请注明序号、件号。  
Please confirm the relative applications Ref. No, part No. when buying the parts.

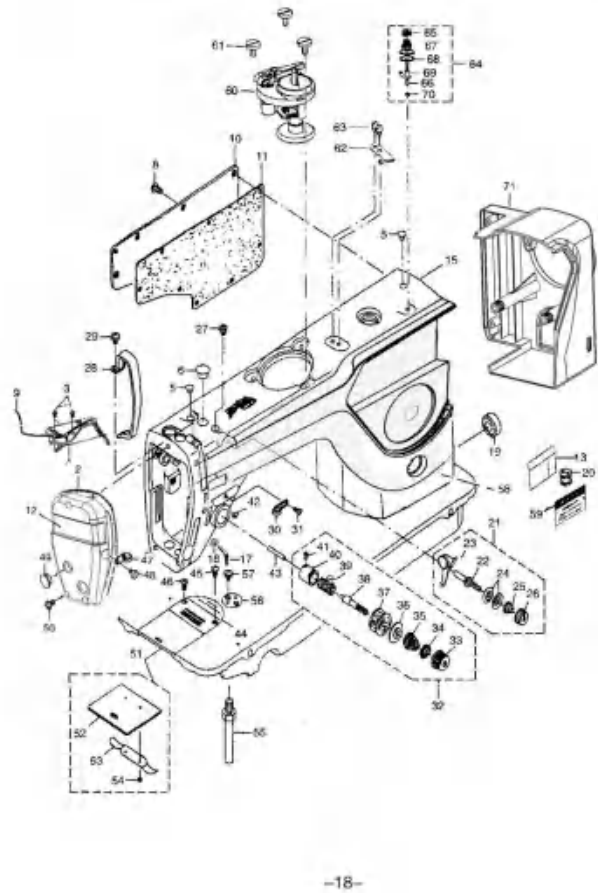
## 1. 机壳·外装部件 MACHINE FRAME&MISCELLANEOUS COVER COMPONENTS



### 1. 机壳·外装部件

序号 Ref. No.	件号 Part No.	名称	Description	数量 Qty.	备注 Note
1	102.01.01-P	面盖	Face plate	1	
2	102.01.02-P	面盖胶垫	Face plate gasket	1	
3	102.004402-1	面盖螺钉	Screw 1/8x40	2	
4	102.01.04	凸缘板	Flange board	1	
5	102.01.05	橡胶堵头	Rubber plug	3	
6	102.01.06	罩壳衬套	Thrust sleeve	1	
7	102.01.07	罩壳衬套	Thrust sleeve	1	
8	102.412802-1	罩壳螺钉	Screw 3/16x28 L-9	11	
9	102.01.09	凸缘	Flange	1	
10	102.01.10	罩壳衬套	Thrust sleeve	1	
11	102.01.11	罩壳衬套	Thrust sleeve	1	
12	102.01.12	罩壳衬套	Thrust sleeve	1	
13	102.01.13	罩壳衬套	Thrust sleeve	1	
14	102.412802-1	罩壳螺钉	Screw 3/16x28 L-14	3	
15	102.01.15-P	罩壳衬套	Thrust sleeve	1	
16	102.01.16	罩壳衬套	Thrust sleeve	1	
17	102.01.17	罩壳衬套	Thrust sleeve	1	
18	102.01.18	罩壳衬套	Thrust sleeve	1	
19	102.01.19	罩壳衬套	Thrust sleeve	1	
20	102.01.20	罩壳衬套	Thrust sleeve	1	
21	102.01.21	罩壳衬套	Thrust sleeve	1	
22	102.01.22	罩壳衬套	Thrust sleeve	1	
23	102.01.23	罩壳衬套	Thrust sleeve	1	
24	102.01.24	罩壳衬套	Thrust sleeve	1	
25	102.01.25	罩壳衬套	Thrust sleeve	1	
26	102.01.26	罩壳衬套	Thrust sleeve	1	
27	102.01.27	罩壳衬套	Thrust sleeve	1	
28	102.412802-1	罩壳螺钉	Screw 3/16x28 L-6	1	
29	102.01.29	罩壳衬套	Thrust sleeve	1	
30	102.01.30	罩壳衬套	Thrust sleeve	1	
31	102.412802-1	罩壳螺钉	Screw 3/16x28 L-6	1	
32	102.01.32	罩壳衬套	Thrust sleeve	1	
33	102.01.33	罩壳衬套	Thrust sleeve	1	
34	102.01.34	罩壳衬套	Thrust sleeve	1	
35	102.01.35	罩壳衬套	Thrust sleeve	1	
36	102.01.36	罩壳衬套	Thrust sleeve	1	
37	102.01.37	罩壳衬套	Thrust sleeve	1	
38	102.01.38	罩壳衬套	Thrust sleeve	1	
39	102.01.39	罩壳衬套	Thrust sleeve	1	
40	102.01.40	罩壳衬套	Thrust sleeve	1	
41	102.404402-1	罩壳衬套	Thrust sleeve	1	
42	102.412802-1	罩壳螺钉	Screw 3/16x28 L-7	1	
43	102.01.43	罩壳衬套	Thrust sleeve	1	
44	102.01.44	罩壳衬套	Thrust sleeve	1	
45	102.01.44-1	罩壳衬套	Thrust sleeve	1	

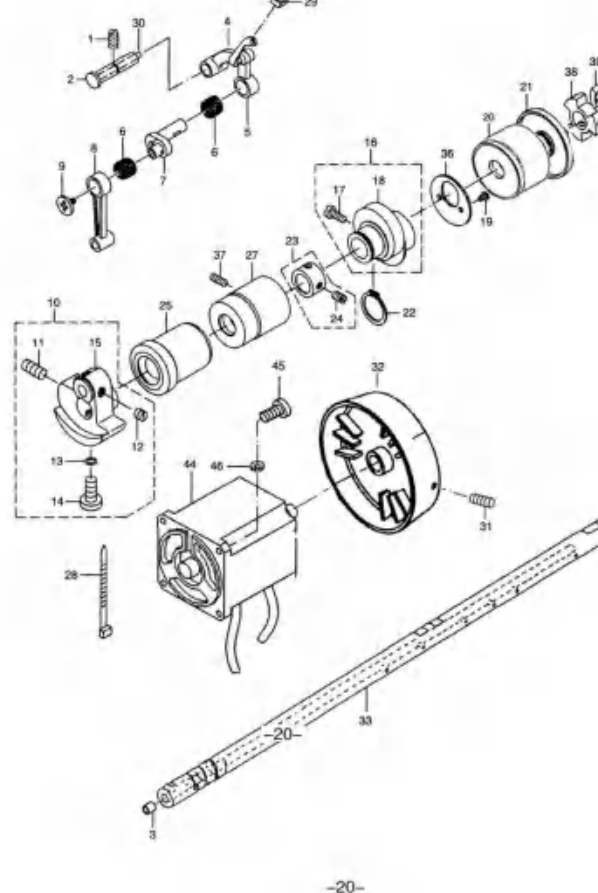
### 1. 机壳·外装部件 MACHINE FRAME&MISCELLANEOUS COVER COMPONENTS



### 1. 机壳·外装部件

序号 Ref. No.	件号 Part No.	名称	Description	数量 Qty.	备注 Note
45	102.412802-1	罩壳螺钉	Screw 3/16x28 L-6	1	
46	102.412802-1	罩壳螺钉	Screw 3/16x28 L-6	1	
47	102.01.47	罩壳衬套	Thrust sleeve	1	
48	102.412802-1	罩壳螺钉	Screw 3/16x28 L-6	1	
49	102.01.49	罩壳衬套	Thrust sleeve	1	
50	102.412802-1	罩壳螺钉	Screw 3/16x28 L-9	1	
51	102.01.51	罩壳衬套	Thrust sleeve	1	
52	102.01.52	罩壳衬套	Thrust sleeve	1	
53	102.01.53	罩壳衬套	Thrust sleeve	1	
54	102.404402-1	罩壳衬套	Thrust sleeve	1	
55	102.01.55	罩壳衬套	Thrust sleeve	1	
56	102.01.56	罩壳衬套	Thrust sleeve	1	
57	102.412802-1	罩壳螺钉	Screw 3/16x28 L-6	1	
58	102.01.58	罩壳衬套	Thrust sleeve	1	
59	102.01.59	罩壳衬套	Thrust sleeve	1	
60	102.01.60	罩壳衬套	Thrust sleeve	1	
61	102.01.61	罩壳衬套	Thrust sleeve	1	
62	102.01.62	罩壳衬套	Thrust sleeve	1	
63	102.01.63	罩壳衬套	Thrust sleeve	1	
64	102.01.64	罩壳衬套	Thrust sleeve	1	
65	102.01.65	罩壳衬套	Thrust sleeve	1	
66	102.01.66	罩壳衬套	Thrust sleeve	1	
67	102.01.67	罩壳衬套	Thrust sleeve	1	
68	102.01.68	罩壳衬套	Thrust sleeve	1	
69	102.01.69	罩壳衬套	Thrust sleeve	1	
70	102.01.70	罩壳衬套	Thrust sleeve	1	
71	102.01.71	罩壳衬套	Thrust sleeve	1	

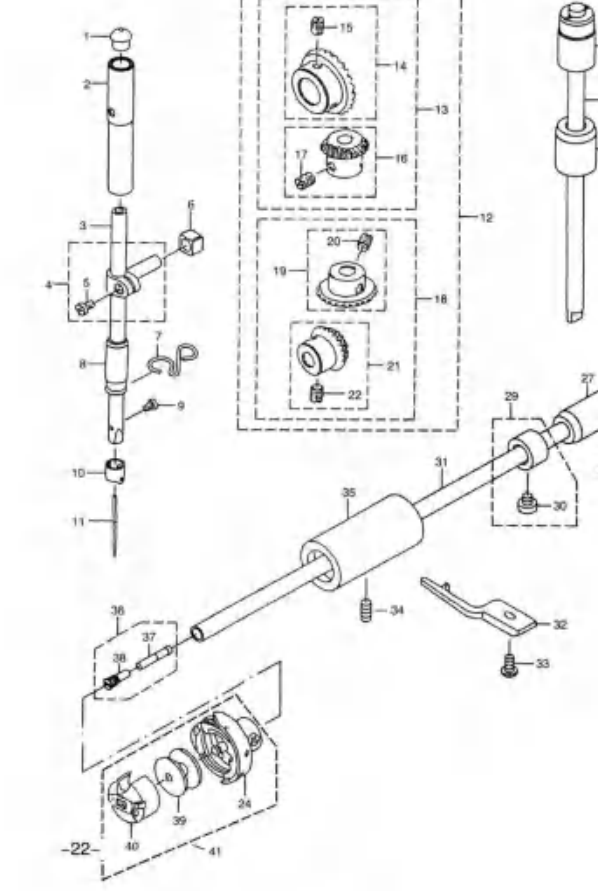
### 2. 上轴·换线部件 MAIN SHAFT&THREAD-UP LEVER COMPONENTS



### 2. 上轴·换线部件

序号 Ref. No.	件号 Part No.	名称	Description	数量 Qty.	备注 Note
1	102.412802-1	罩壳螺钉	Screw 3/16x28 L-10.5	1	
2	102.02.02	罩壳衬套	Thrust sleeve	1	
3	102.02.03	罩壳衬套	Thrust sleeve	1	
4	102.02.04	罩壳衬套	Thrust sleeve	1	
5	102.02.05	罩壳衬套	Thrust sleeve	1	
6	102.02.06	罩壳衬套	Thrust sleeve	1	
7	102.02.07	罩壳衬套	Thrust sleeve	1	
8	102.02.08	罩壳衬套	Thrust sleeve	1	
9	102.02.09	罩壳衬套	Thrust sleeve	1	
10	102.02.10	罩壳衬套	Thrust sleeve	1	
11	102.412802-1	罩壳螺钉	Screw 3/16x28 L-16	1	
12	102.412802-1	罩壳螺钉	Screw 3/16x28 L-16	1	
13	102.02.13	罩壳衬套	Thrust sleeve	1	
14	102.412802-1	罩壳螺钉	Screw 3/16x28 L-15.5	1	
15	102.02.15	罩壳衬套	Thrust sleeve	1	
16	102.02.16	罩壳衬套	Thrust sleeve	1	
17	102.412802-1	罩壳螺钉	Screw 3/16x28 L-11	1	
18	102.02.18	罩壳衬套	Thrust sleeve	1	
19	102.404402-1	罩壳衬套	Thrust sleeve	1	
20	102.404402-1	罩壳衬套	Thrust sleeve	1	
21	102.02.21	罩壳衬套	Thrust sleeve	1	
22	102.02.22	罩壳衬套	Thrust sleeve	1	
23	102.02.23	罩壳衬套	Thrust sleeve	1	
24	102.412802-1	罩壳螺钉	Screw 3/16x28 L-11	1	
25	102.02.25	罩壳衬套	Thrust sleeve	1	
26	102.02.26	罩壳衬套	Thrust sleeve	1	
27	102.02.27	罩壳衬套	Thrust sleeve	1	
28	102.02.28	罩壳衬套	Thrust sleeve	1	
29	102.02.29	罩壳衬套	Thrust sleeve	1	
30	102.02.30	罩壳衬套	Thrust sleeve	1	
31	102.412802-1	罩壳螺钉	Screw 3/16x28 L-10	1	
32	102.02.32	罩壳衬套	Thrust sleeve	1	
33	102.02.33	罩壳衬套	Thrust sleeve	1	
34	102.02.34	罩壳衬套	Thrust sleeve	1	
35	102.02.35	罩壳衬套	Thrust sleeve	1	
36	102.02.36	罩壳衬套	Thrust sleeve	1	
37	102.02.37	罩壳衬套	Thrust sleeve	1	
38	102.02.38	罩壳衬套	Thrust sleeve	1	
39	102.02.39	罩壳衬套	Thrust sleeve	1	
40	102.02.40	罩壳衬套	Thrust sleeve	1	
41	102.02.41	罩壳衬套	Thrust sleeve	1	
42	102.02.42	罩壳衬套	Thrust sleeve	1	
43	102.02.43	罩壳衬套	Thrust sleeve	1	
44	102.02.44	罩壳衬套	Thrust sleeve	1	
45	102.02.45	罩壳衬套	Thrust sleeve	1	
46	102.02.46	罩壳衬套	Thrust sleeve	1	
47	102.02.47	罩壳衬套	Thrust sleeve	1	
48	102.02.48	罩壳衬套	Thrust sleeve	1	
49	102.02.49	罩壳衬套	Thrust sleeve	1	
50	102.02.50	罩壳衬套	Thrust sleeve	1	
51	102.02.51	罩壳衬套	Thrust sleeve	1	
52	102.02.52	罩壳衬套	Thrust sleeve	1	
53	102.02.53	罩壳衬套	Thrust sleeve	1	
54	102.02.54	罩壳衬套	Thrust sleeve	1	
55	102.02.55	罩壳衬套	Thrust sleeve	1	
56	102.02.56	罩壳衬套	Thrust sleeve	1	
57	102.02.57	罩壳衬套	Thrust sleeve	1	
58	102.02.58	罩壳衬套	Thrust sleeve	1	
59	102.02.59	罩壳衬套	Thrust sleeve	1	
60	102.02.60	罩壳衬套	Thrust sleeve	1	
61	102.02.61	罩壳衬套	Thrust sleeve	1	
62	102.02.62	罩壳衬套	Thrust sleeve	1	
63	102.02.63	罩壳衬套	Thrust sleeve	1	
64	102.02.64	罩壳衬套	Thrust sleeve	1	
65	102.02.65	罩壳衬套	Thrust sleeve	1	
66	102.02.66	罩壳衬套	Thrust sleeve	1	
67	102.02.67	罩壳衬套	Thrust sleeve	1	
68	102.02.68	罩壳衬套	Thrust sleeve	1	
69	102.02.69	罩壳衬套	Thrust sleeve	1	
70	102.02.70	罩壳衬套	Thrust sleeve	1	
71	102.02.71	罩壳衬套	Thrust sleeve	1	
72	102.02.72	罩壳衬套	Thrust sleeve	1	
73	102.02.73	罩壳衬套	Thrust sleeve	1	
74	102.02.74	罩壳衬套	Thrust sleeve	1	
75	102.02.75	罩壳衬套	Thrust sleeve	1	
76	102.02.76	罩壳衬套	Thrust sleeve	1	
77	102.02.77	罩壳衬套	Thrust sleeve	1	
78	102.02.78	罩壳衬套	Thrust sleeve	1	
79	102.02.79	罩壳衬套	Thrust sleeve	1	
80	102.02.80	罩壳衬套	Thrust sleeve	1	
81	102.02.81	罩壳衬套	Thrust sleeve	1	
82	102.02.82	罩壳衬套	Thrust sleeve	1	
83	102.02.83	罩壳衬套	Thrust sleeve	1	
84	102.02.84	罩壳衬套	Thrust sleeve	1	
85	102.02.85	罩壳衬套	Thrust sleeve	1	
86	102.02.86	罩壳衬套	Thrust sleeve	1	
87	102.02.87	罩壳衬套	Thrust sleeve	1	
88	102.02.88	罩壳衬套	Thrust sleeve	1	
89	102.02.89	罩壳衬套	Thrust sleeve	1	
90	102.02.90	罩壳衬套	Thrust sleeve	1	
91	102.02.91	罩壳衬套	Thrust sleeve	1	
92	102.02.92	罩壳衬套	Thrust sleeve	1	
93	102.02.93	罩壳衬套	Thrust sleeve	1	
94	102.02.94	罩壳衬套	Thrust sleeve	1	
95	102.02.95	罩壳衬套	Thrust sleeve	1	
96	102.02.96	罩壳衬套	Thrust sleeve	1	
97	102.02.97	罩壳衬套	Thrust sleeve	1	
98	102.02.98	罩壳衬套	Thrust sleeve	1	
99	102.02.99	罩壳衬套	Thrust sleeve	1	
100	102.02.100	罩壳衬套	Thrust sleeve	1	

### 3. 针杆·竖轴·下轴部件 NEEDLE BAR, UPRIGHT SHAFT&HOOK DRIVING SHAFT COMPONENTS



### 3. 针杆·竖轴·下轴部件

序号 Ref. No.	件号 Part No.	名称	Description	数量 Qty.	备注 Note
1	102.03.01	针杆上盖	Cap	1	
2	102.03.02	针杆衬套	Needle bar bushing upper	1	
3	102.03.03	针杆	Needle bar	1	
4	102.03.04	针杆衬套	Needle bar bushing lower	1	
5	102.03.05	针杆衬套	Needle bar bushing	1	
6	102.03.06	针杆衬套	Needle bar bushing	1	
7	102.03.07	针杆衬套	Needle bar bushing	1	
8	102.03.08	针杆衬套	Needle bar bushing	1	
9	102.03.09	针杆衬套	Needle bar bushing	1	
10	102.03.10	针杆衬套	Needle bar bushing	1	
11	102.03.11	针杆衬套	Needle bar bushing	1	
12	102.03.12	针杆衬套	Needle bar bushing	1	
13	102.03.13	针杆衬套	Needle bar bushing	1	
14	102.03.14	针杆衬套	Needle bar bushing	1	
15	102.03.15	针杆衬套	Needle bar bushing	1	
16	102.03.16	针杆衬套	Needle bar bushing	1	
17	102.03.17	针杆衬套	Needle bar bushing	1	
18	102.03.18	针杆衬套	Needle bar bushing	1	
19	102.03.19	针杆衬套	Needle bar bushing	1	
20	102.03.20	针杆衬套	Needle bar bushing	1	
21	102.03.21	针杆衬套	Needle bar bushing	1	
22	102.03.22	针杆衬套	Needle bar bushing	1	
23	102.03.23	针杆衬套	Needle bar bushing	1	
24	102.03.24	针杆衬套	Needle bar bushing	1	
25	102.03.25	针杆衬套	Needle bar bushing	1	
26	102.03.26	针杆衬套	Needle bar bushing	1	
27	102.03.27	针杆衬套	Needle bar bushing	1	
28	102.03.28	针杆衬套	Needle bar bushing	1	
29	102.03.29	针杆衬套	Needle bar bushing	1	
30	102.03.30	针杆衬套	Needle bar bushing	1	
31	102.03.31	针杆衬套	Needle bar bushing	1	
32	102.03.32	针杆衬套	Needle bar bushing	1	
33	102.03.33				