

零件手册

Parts Manual

1. 机壳部件

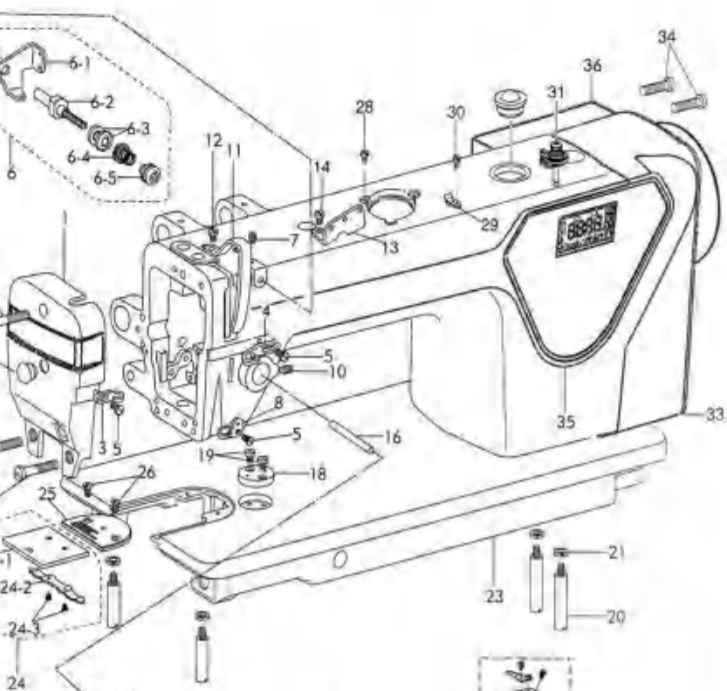


Table with 4 columns: Part No., Part Name, Part Name, and Quantity. Lists components like Face plate, Thread guide, Tension stud, etc.

4. 送料部件

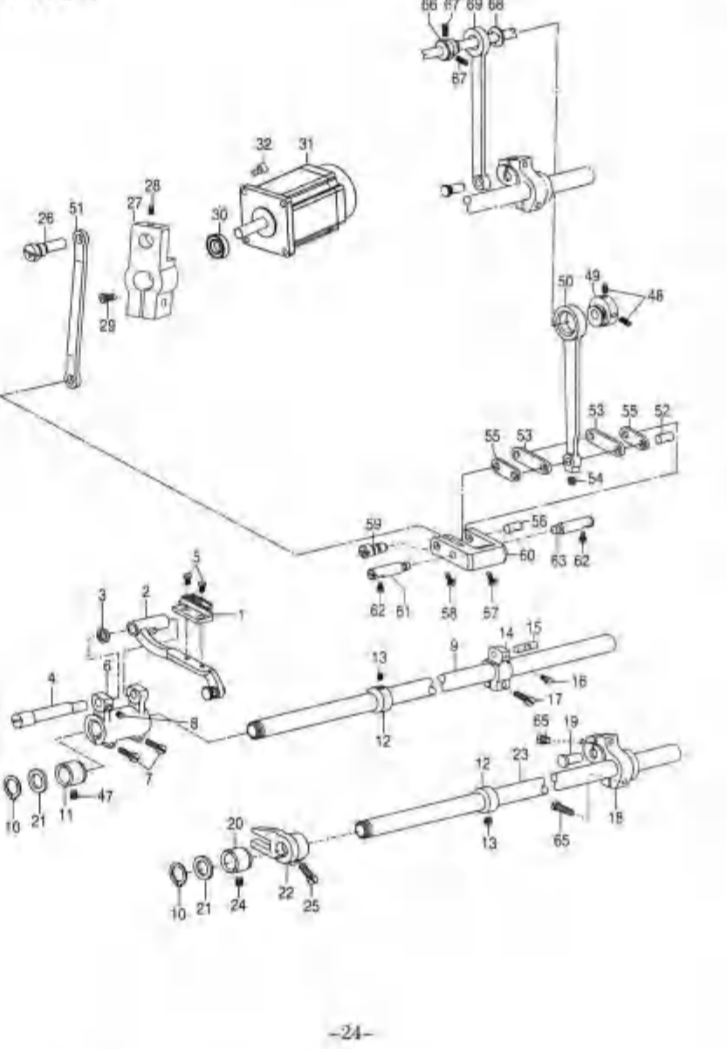


Table with 4 columns: Part No., Part Name, Part Name, and Quantity. Lists components like Feed dog, Feed bar, Feed roller arm, etc.

6. 旋梭部件

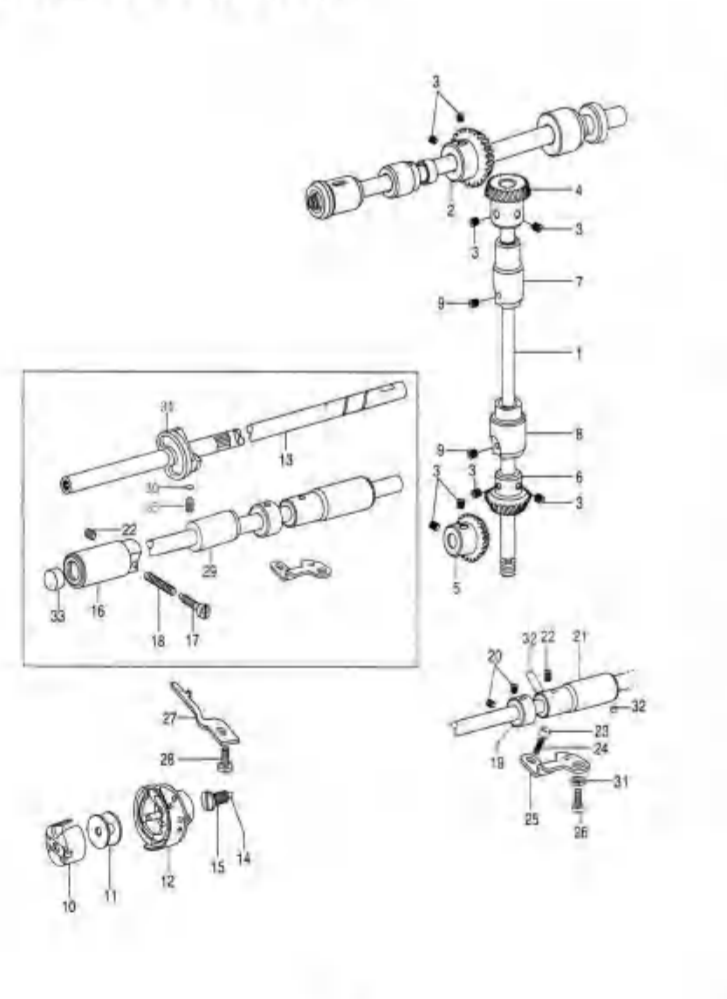


Table with 4 columns: Part No., Part Name, Part Name, and Quantity. Lists components like Vertical shaft, Bevel gear, Bobbin case, etc.

9. 倒缝部件

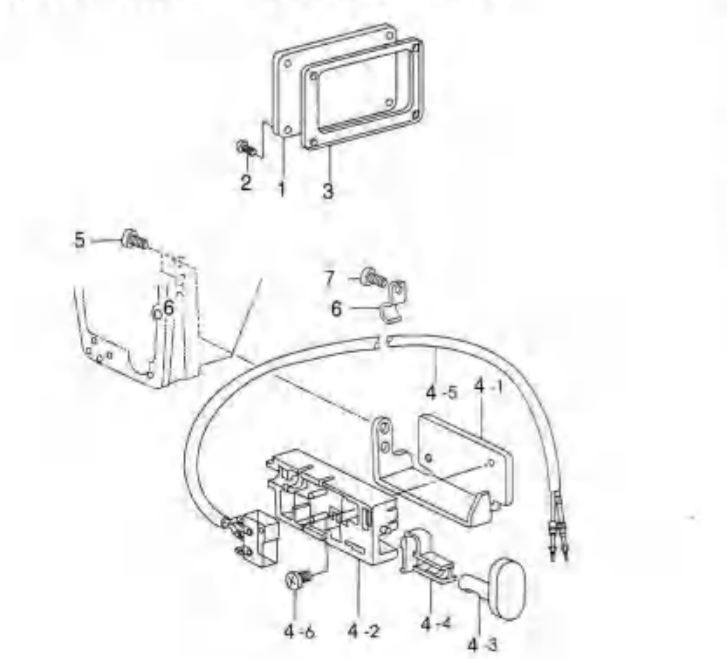


Table with 4 columns: Part No., Part Name, Part Name, and Quantity. Lists components like Solenoid cover, Washer, Support, etc.

2. 针线部件 Needle bar and thread take-up mechanism

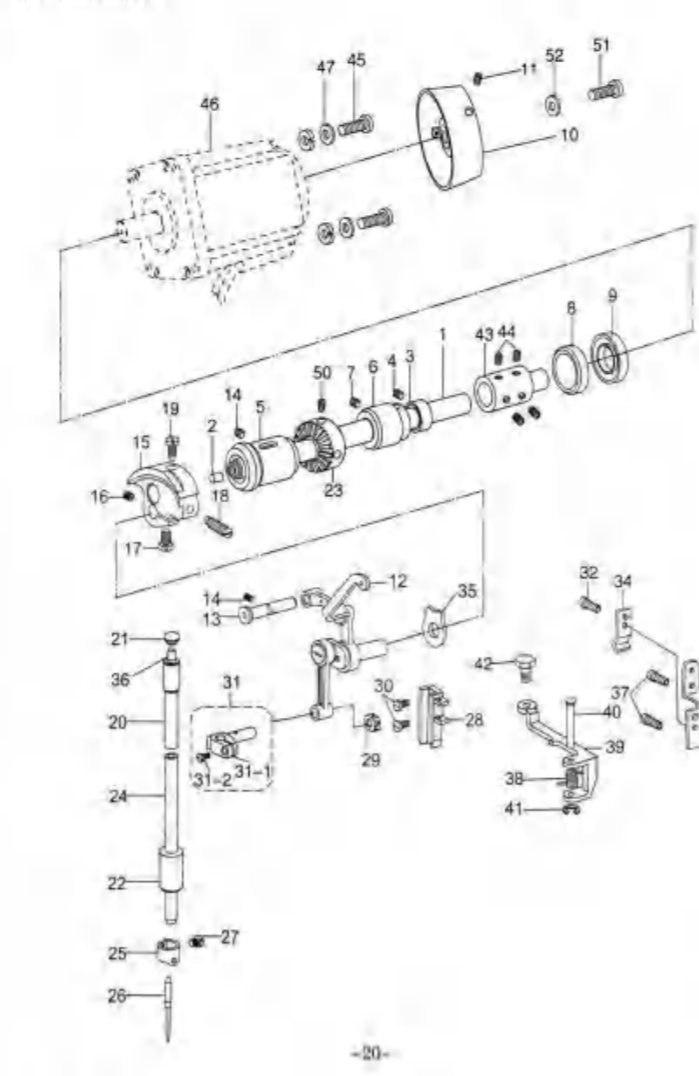


Table with 4 columns: Part No., Part Name, Part Name, and Quantity. Lists components like Upper shaft, Needle bar, Thread take-up lever, etc.

7. 供油润滑部件 Lubrication mechanism

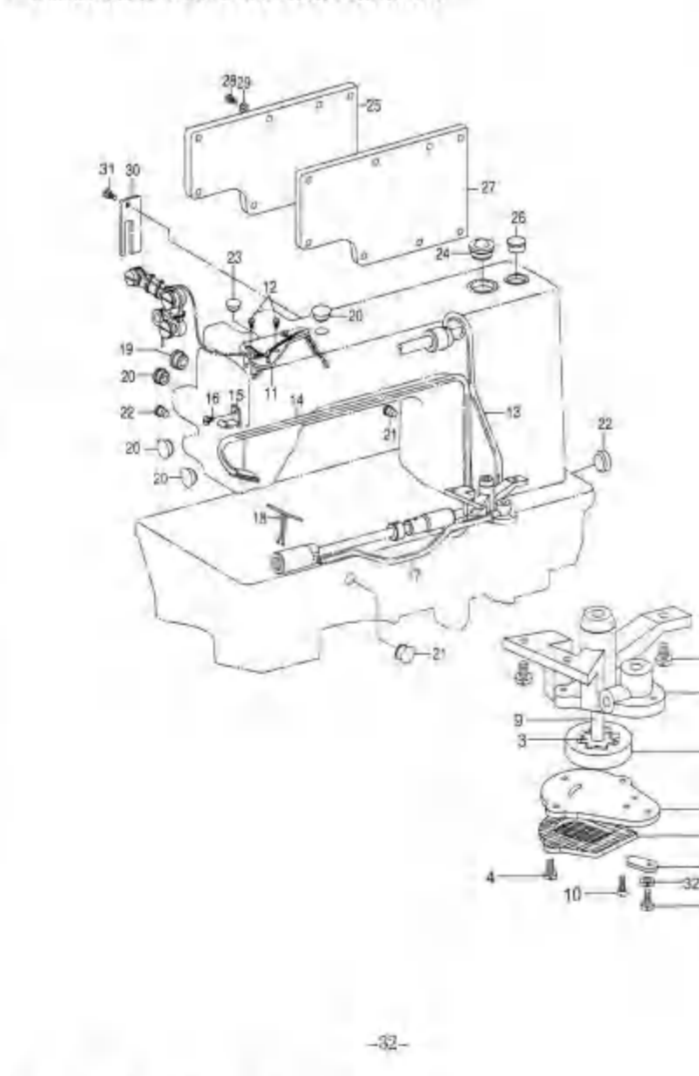


Table with 4 columns: Part No., Part Name, Part Name, and Quantity. Lists components like Pump body, Big gear, Small gear, etc.

10. 附件 Accessories

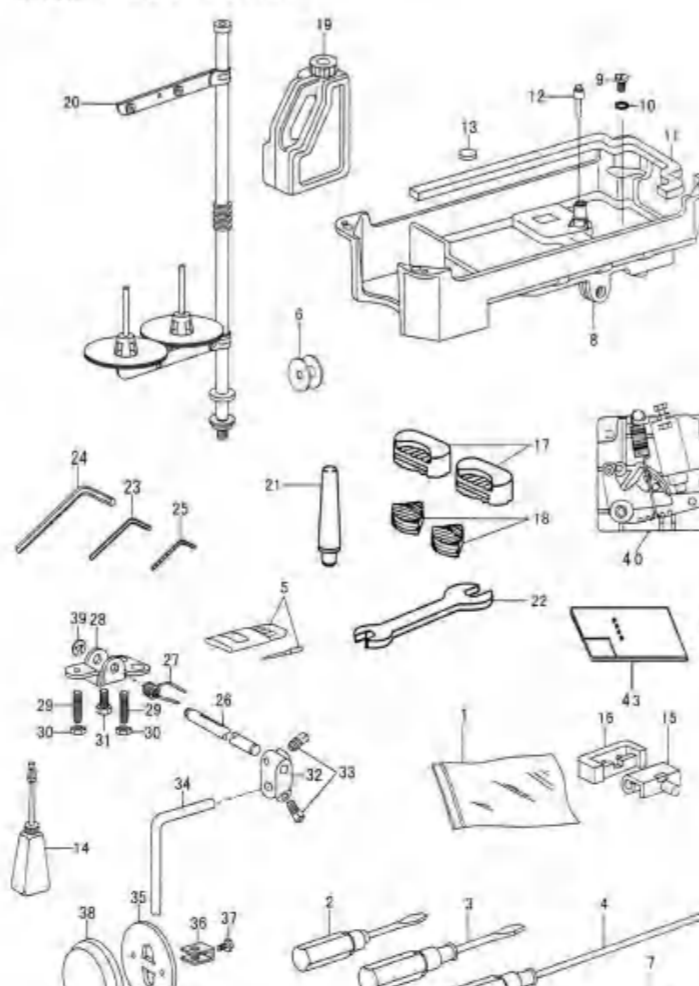


Table with 4 columns: Part No., Part Name, Part Name, and Quantity. Lists accessories like Accessory bag, Screw driver, Needle, etc.

3. 压脚部件 Presser foot mechanism

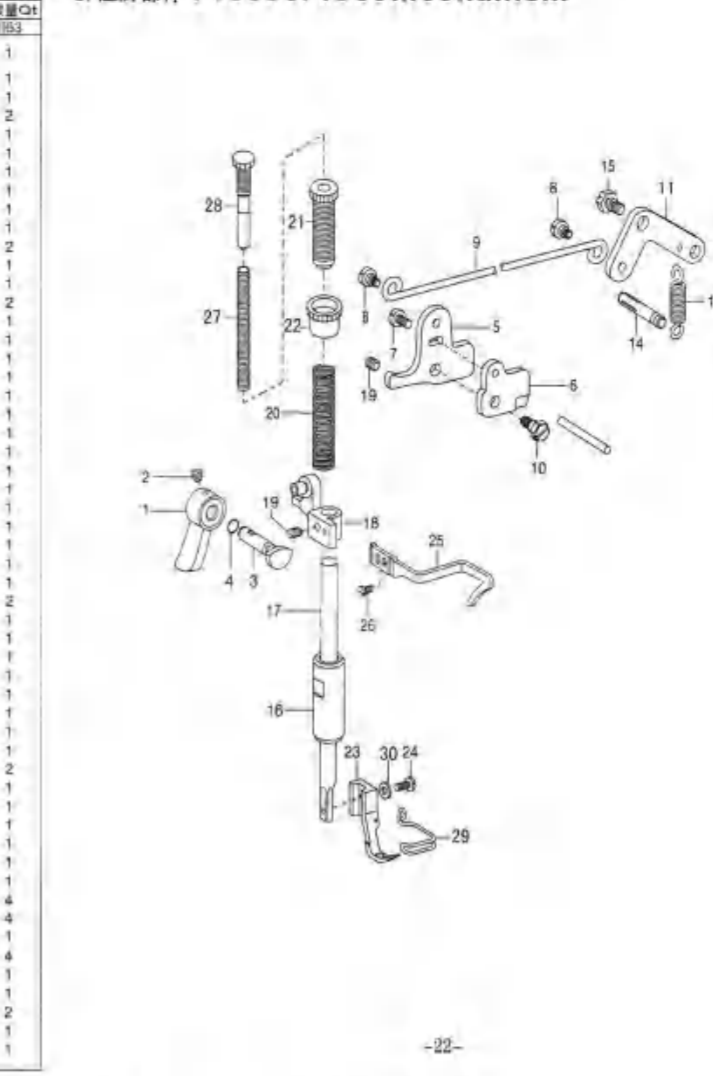


Table with 4 columns: Part No., Part Name, Part Name, and Quantity. Lists components like Presser lifter, Lifter crank, Lifter lever, etc.

8. 剪线部件 Thread trimming mechanism

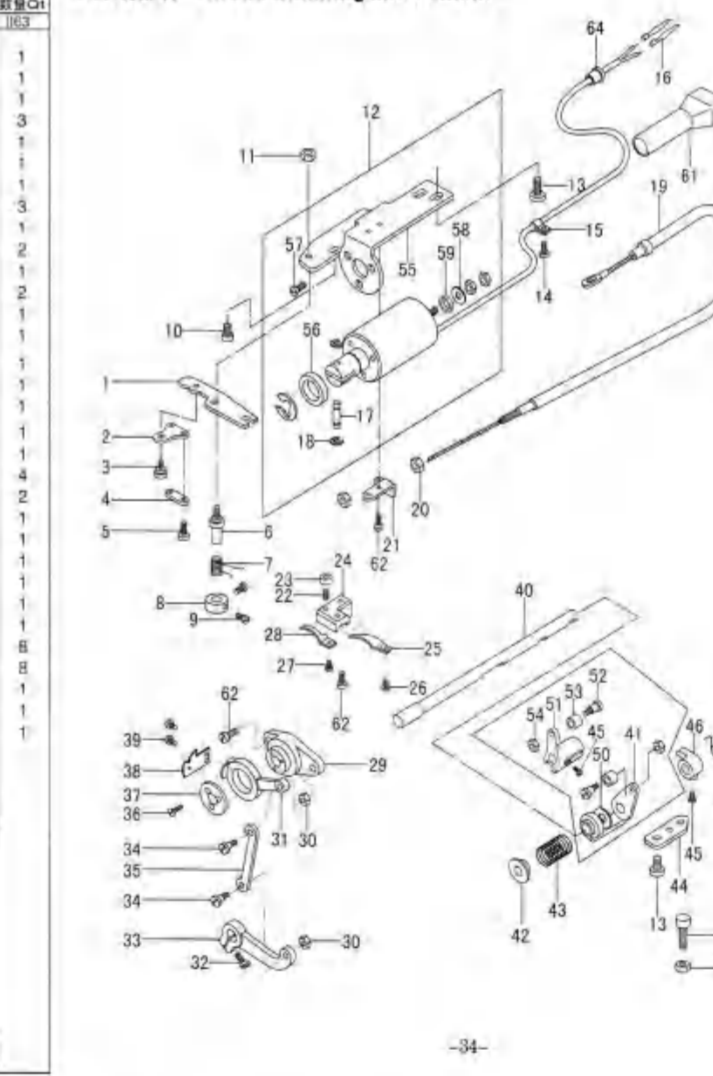


Table with 4 columns: Part No., Part Name, Part Name, and Quantity. Lists components like Drives plate, Wiper support, Link, etc.

11. H63-C-TW 专用部件

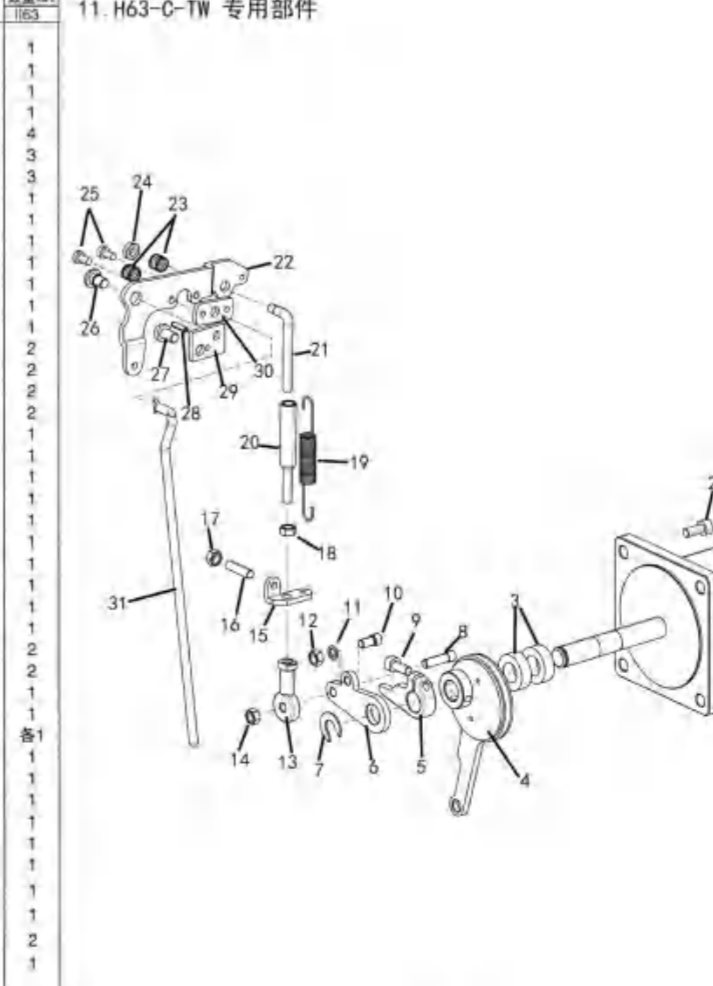


Table with 4 columns: Part No., Part Name, Part Name, and Quantity. Lists special parts like Stepper motor, Motor oil seal, Eccentric wheel, etc.