



中国缝制机械协会理事单位 / 本企业已通过ISO9001管理体系认证
浙江科技型企业 台州著名商标 / ISO14001环境体系认证

D9/F9/D9S 系列 SERIES

全自动电脑控制包缝机 全自动电脑控制步进包缝机

Automatic computer control sewing machine
Automatic computer controlled step sewing machine

使用说明 · 零件手册

INSTRUCTIONS MANUAL&PARTS BOOK

目录/CONTENTS

使用说明/Use Manual	1
一、机壳部分/Machine Bed Frame	4
二、机壳机罩部件(1)/Cover(1)	6
三、机壳机罩部件(2)/Cover(2)	8
四、主轴部件/Crankshaft Drive Mechanism	10
五、夹线部件/Thread Tension Mechanism	12
六、过线机构(1)/Thread Guide and Thread Takeup(1)	14
七、过线机构(2)/Thread Guide and Thread Takeup(2)	16
八、过线机构(3)/Thread Guide and Thread Takeup(3)	18
九、针杆部件(1)/Needle Drive Mechanism(1)	20
十、针杆部件(2)/Needle Drive Mechanism(2)	22
十一、针杆部件(3)/Needle Drive Mechanism(3)	24
十二、上弯针部件/Upper Looper Drive Mechanism	26
十三、下弯针部件/Lower Looper Drive Mechanism	28
十四、二重环弯针机构(1)/Chainstitch Looper Drive Mechanism(1)	30
十五、二重环弯针机构(2)/Chainstitch Looper Drive Mechanism(2)	32
十六、差动调节机构/Feed Mechanism	34
十七、送布机构/Feed Mechanism	36
十八、剪布机构/Knife Drive Mechanism	38
十九、抬压脚机构/Presser Foot Mechanism	40
二十、供油机构(1)/Lubrication Mechanism(1)	42
二十一、供油机构(2)/Lubrication Mechanism(2)	44
二十二、HR装置机构部件/H.R.Device	46
二十三、线架部件/Thread Stand	48
二十四、托盘部件/Part For Semi-Submerged Installation	50
二十五、专用零件/Specific Parts	52
二十六、随机附件部分/Accessories Assemblies	54
二十七、机架部件/The Chassis Parts	56
标准零件度量表/Standard measurement part list	58

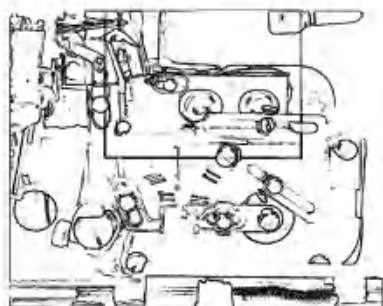
使用说明/Use Manual

W系列 最新微油设计 Semi dry-head new design



针杆微油

Needle bar with mini oil



滑杆微油

Slide bar with mini oil



牙架微油

Feed bar with mini oil

重要警告:

请加 18# - 20# 润滑白油, 低于此标号将会损害相关部件。

CAUTION:

It requires 18#-20# lubricating white oil, if lower than 18# used, it will cause some damage to the related parts.

技术参数 MAIN SPECIFICATIONS

型号 Models			最高转速 (转/分) max speed (volv/min)	针距 (毫米) Stitch length (mm)	压脚高度 (毫米) Presser foot lift (mm)	针数 (根) Number of stitches	扭矩 (牛顿·米) Torque (N · m)	包缝宽度 (毫米) Overedge width (mm)
D9	F9	-3	6500	0~3.8	5	1	≤ 0.4	4
D9	F9	-4	6500	0~3.8	5.5	2	≤ 0.4	2X4
D9	F9	-5	6500	0~3.8	5	2	≤ 0.4	3X4

△ 为了安全

对于缝纫机本身各种装置，我们充分考虑到它的安全性。请遵照基本的操作方法，安全的进行工作。

●拆除为保证安全所设置的装置，零件的情况下使用，是非常危险的，请绝对不要拆除后使用。

●缝纫机在使用时，请不要在缝纫机台板上放置工具及缝纫时不必要的物品。

●在对缝纫机进行检修、调节、清扫、穿线、换针等工作时，为防止发生事故，务必请切断电源，在确认即使踩下缝纫机踏板，缝纫机也不转动之后，再进行操作。

1、关闭电源停止缝纫。

2、打开缝台装置。

3、打开压脚装置。

在对缝纫机进行检修、调节、清扫、穿线、换针等工作完成结束后，请按以下步骤操作。

1、压脚装置复位。

2、关上缝台装置。

3、开启电源进行缝纫。



△ OBSERVE THESE SAFETY PRECAUTIONS

Though we takes the utmost care to produce safe sewing machines and devices, operators should follow these basic safety rules.

●To prevent accidents, do not remove safety devices or parts while operating the machine.

●Do not leave tools or other unnecessary objects on the machine table while operating the machine.

●Before maintenance, adjusting, cleaning, threading or replacing the needle, and to prevent accidents, be sure the power is turned off. Check and make sure the machine will not operate when the pedal is pressed.

1. turn off power and stop sewing.

2. open the sewing plate.

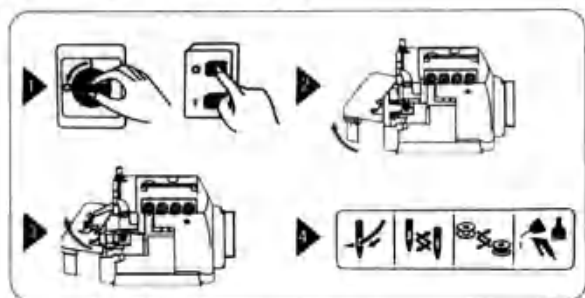
3. remove the foot presser.

After maintenance, adjusting, cleaning, threading or replacing the needle, and to prevent accidents, please click the following steps operation.

1. move back the foot presser.

2. close the sewing plate.

3. turn on the power and start sewing.



●在离开缝纫机台时，务必请关掉电源。

●停电时也请务必关掉电源。

●为了总是安全地，运转良好的使用缝纫机，日常的点检是不可缺少的，请予以注意。

●Turn the power off before leaving the machine table.

●In the event of a power failure, be sure to turn the machine off.

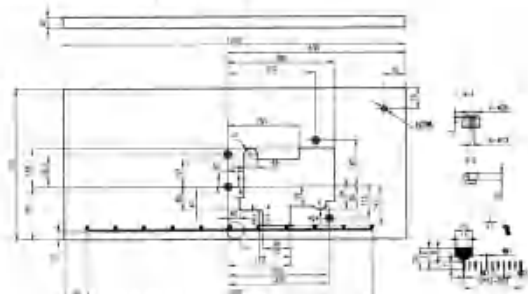
●To guarantee the machine always works well and safety, pay more attention to the daily spot check.

台板加工图

Schematic diagram of the machine

请参照下图进行台板加工

Cut the table referring to the diagram



台板安装示意图

Installation diagram of the machine table

请参照下图安装零件

Refer to the drawing installation parts



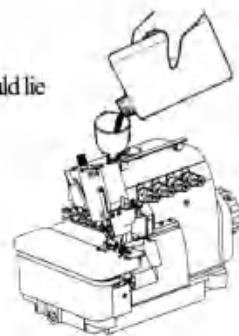
供油

加油量是使油面处于H线与L线之间为好。当油面低于L线时，就要及时补充机油。

Lubrication

After filling the oil pan, the oil surface should lie between (H) and (L) lines.

Add oil, when the oil surface reaches or goes below (L).

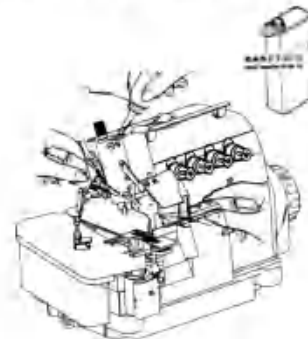


手动供油

手动供油是在缝纫机最初开始使用时或相当一段时间没使用时，请供给2-3滴油。

Manual Lubrication

Apply 2 or 3 of by hand when the machine is used for the first time or has been left unused for some time.



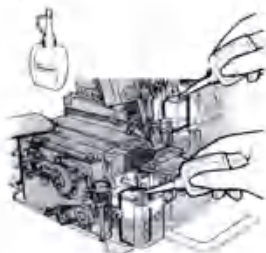
给HR装置供油

为了防止布纤维或线被切断，请尽早给HR装置供油。
注：关于购买硅酮油，请咨询缝纫机代销售店或与本公司营业所联系。

Filling the HR device with silicon oil

Fill the device with oil before it is too low in order to prevent needle thread breakage and fabric damage.

Note: Use recommended silicon oil [UNION CARBIDE CORPORATION] UCCL-45(10)



穿线的方法

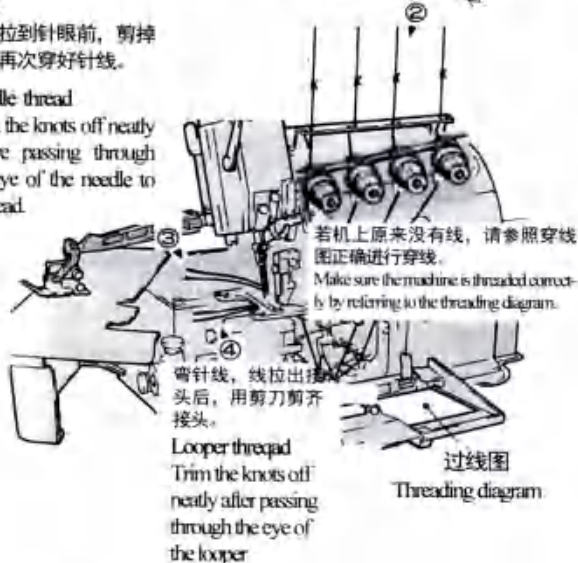
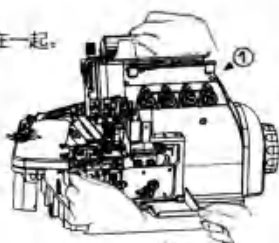
打开压脚料及机盖（三处）
把机上原有的线与缝纫用线绑结在一起。

Threading

Open three covers.
Sewing the presser foot aside.
Knot the preset thread and the thread being used together to thread the machine.

针线
将线拉到针眼前，剪掉结头再次穿好针线。

Needle thread
Trim the knots off neatly before passing through the eye of the needle to rethread.



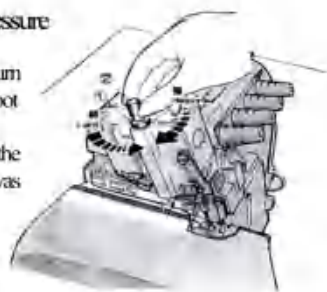
压脚压力调节

压脚压力的调节，松动螺母①，调节螺母②，在送布得到稳定状态下尽可能使用较弱的

Adjusting the presser foot pressure

Loosen adjusting nut ① and then turn adjusting nut ② to adjust the presser foot pressure.

It should be as light as possible in the feed situation when the steady state was obtained.



差动比的调节

差动比的调节松开螺母①调节螺母②。

Adjusting the diff. feed ratio

Loosen the adjusting nut ① and turn the adjusting nut ② to adjust the differential feed ratio.



针脚长度的调节

1. 摁住按钮，旋转手轮，按钮会陷进更深处。
2. 这时边摁住按钮，边转动手轮，使校准标记号对准所希望的数值。
注：针脚长度的调节务必请在调节差动比之后进行。

Adjusting the stitch length

1. While pressing the push button, turn the handwheel to seek the position at which the push button goes further into the depth.

2. Then, keeping the push button pressed, turn the handwheel and set the desired scale to the aligning mark.

Note: Stitch length adjustment must only be made after the differential feed ratio has been adjusted.

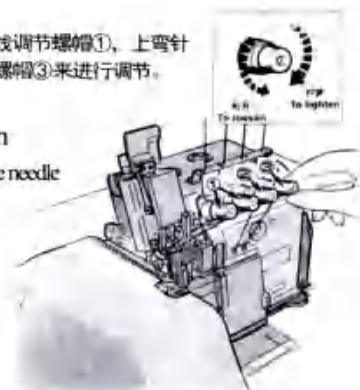


线状态的调节

线张力状态的调节，请用机针线调节螺母①，上弯针线调节螺母②，下弯针线调节螺母③来进行调节。

Adjusting the thread tension

Make tension adjustments with the needle thread knob ①, the upper looper knob ②, and the lower looper knob ③.

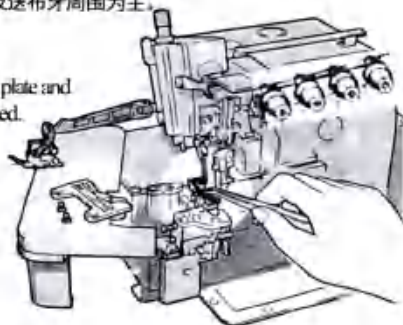


缝纫机的清扫

缝纫机的清扫，以针板槽及送布牙周围为主。

Cleaning the machine

Mainly the slots of the needle plate and the feed rows should be cleaned.



换针

1 准确辨认针的前后，请将针凹向着后方，即背向操作者进行安装。

2 针要牢固的插到孔的最深处。

标准使用针：风琴DC-27

安全、包缝系列：风琴DC-5

Replacing the needle

1 Check the needle carefully to see that the scarf is turned to the rear of the machine.

2 Insert the needle to the proper depth, and fasten securely.

Standard needle Organ DC-27

5200H/3200H series Organ DC-5



下刀片的更换

卸下下刀片

把下刀架推向左边，用螺丝①暂时固定。

Replacing the lower knife

To remove the lower knife

Temporarily screw ① after sliding the lower knife holder to the left.



下刀片的正确研磨角度
Contact angles to resharpen the lower knife

检查机油的循环

Checking the oil circulation

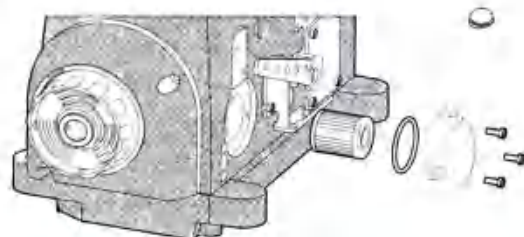


检查油质量，更换油

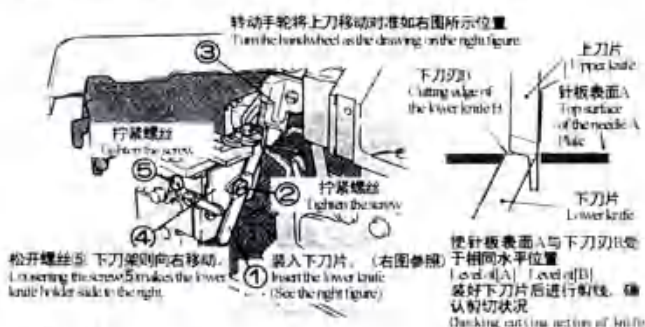
机油每6个月检查并更换。

Checking and replacing the oil filter

Check and replace the oil filter every six months.



安装下刀片 Install the lower knife



松开螺丝⑤ 下刀架则向右移动。
Loosening the screw ⑤ makes the lower knife holder slide to the right.

① 装入下刀片。(右图参照)
Insert the lower knife. (See the right figure)

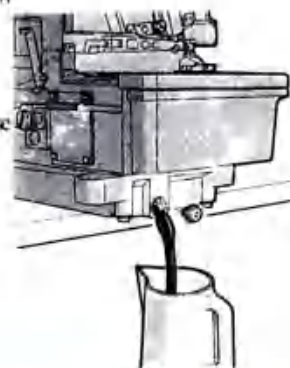
使针板表面A与下刀片处于相同水平位置
Level of A / Level of B
调整好刀片后进行制线，确认剪切状况
Determine cutting action of knife

换机油

机油的更换，请在使用开始1个月更换一次，然后，每6个月更换一次。供油请参见第1页。

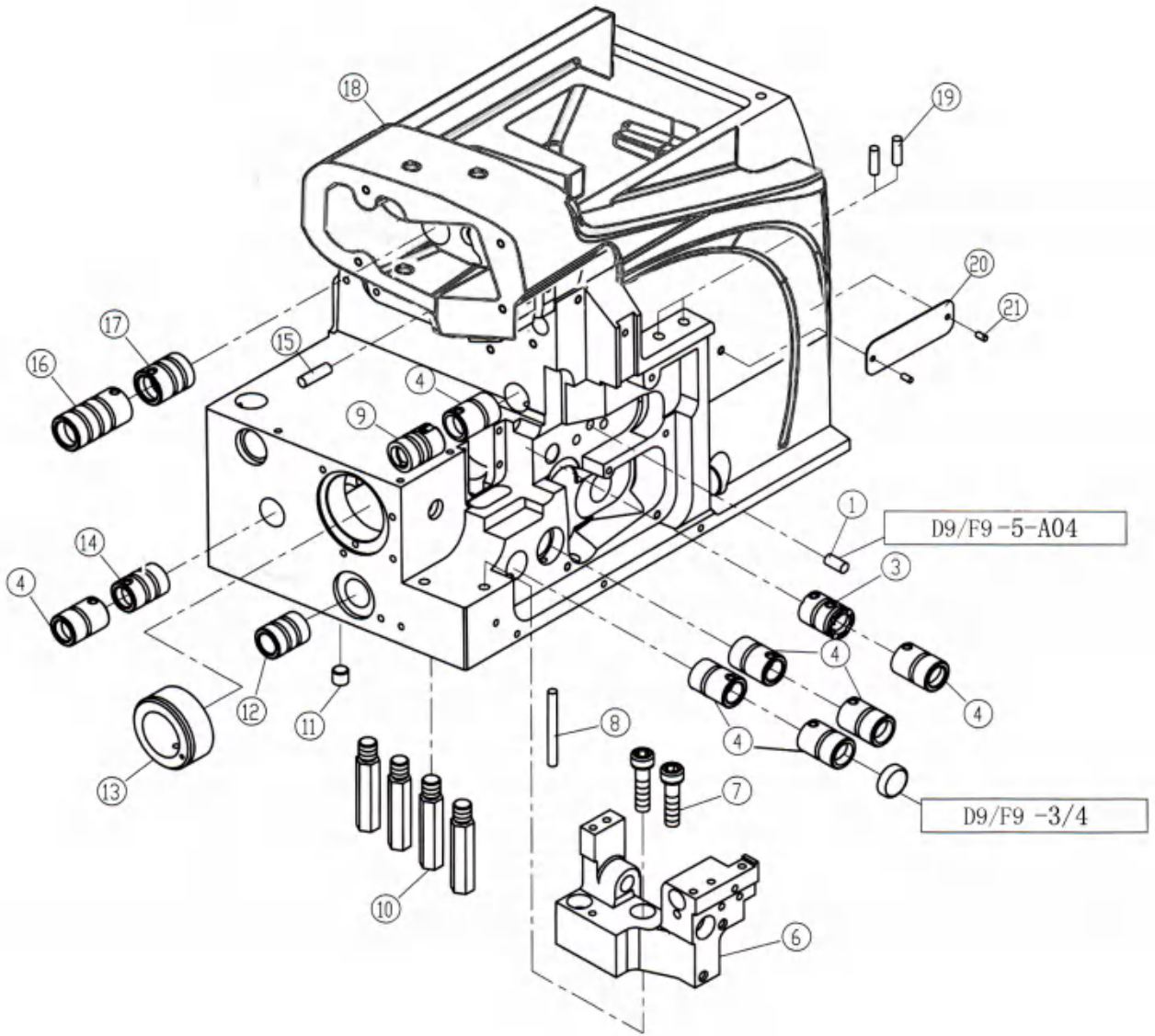
Replacing the oil

Replacing the oil one month after the first use and every six months thereafter. (See p1)



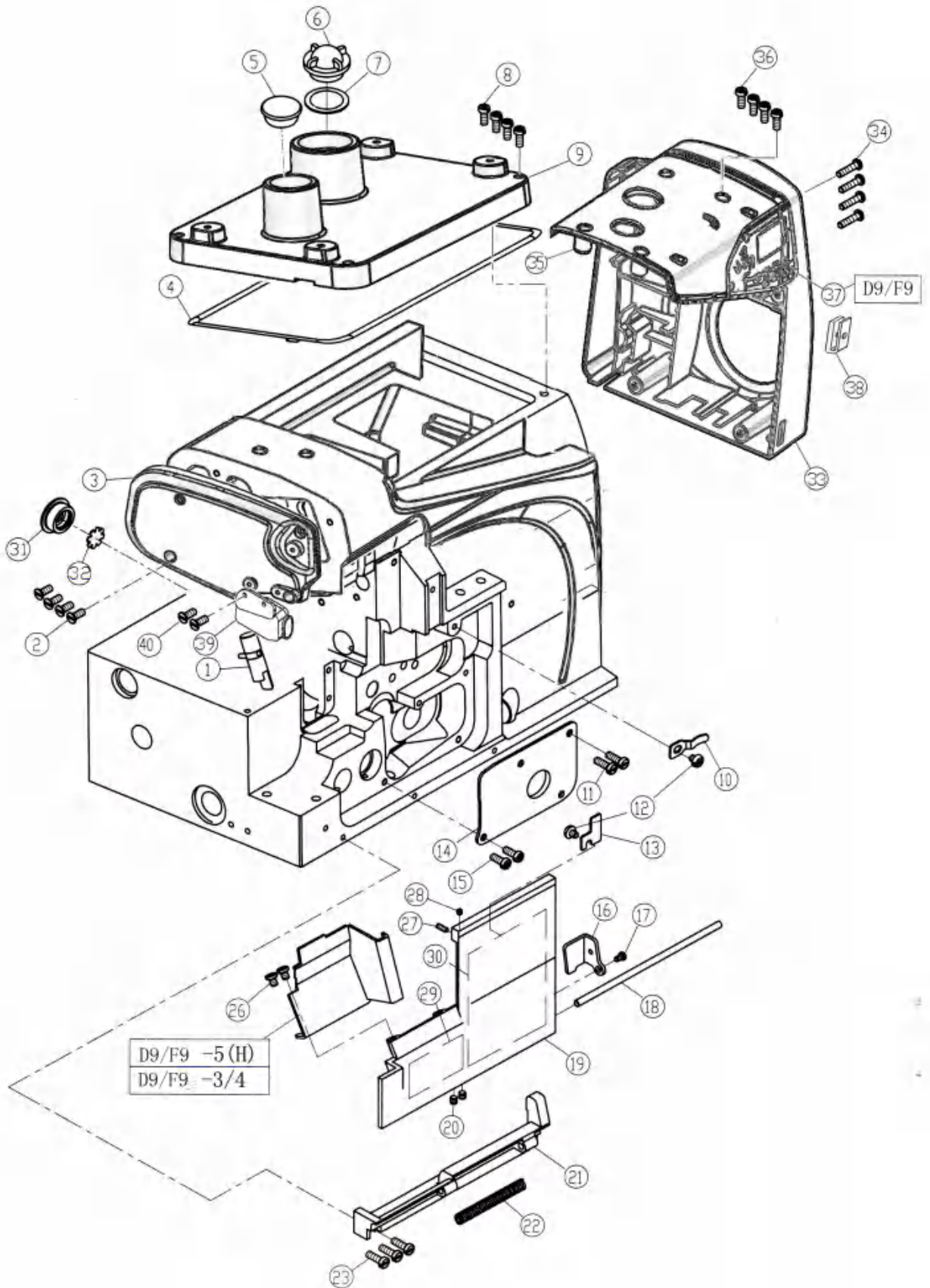
调整基准表

机型	机针高度	下弯针引量	上弯针				二重环引量	送布			转速		
			出板	高度	弯针距 左右位置	上弯针旋 安装方向		送布牙倾斜度	送布高度	辅助送布高度差	默认转速	最高转速	
D9/P9	W-3-02/230	10.5	3.8	4.4-4.5	10.6	14.5	左	-	针板上部水平	0.8	0.5	5000	6000
D9/P9	W-3-32R2/223	10.5	3.8	4.4-4.7	10.8	14.5	左	-	针板上部水平	0.6-0.7	0.3	5000	6000
D9/E9	W-3-82/233	10.5	3.8	4.4-4.7	10.6	14.5	左	-	针板上部水平	0.8	0.5	5000	6000
D9/P9	W-4-M02/333	10.5	3.8	6.1-6.7	10.3	18.5	右	-	针板上部水平	0.8	0.5	5000	6000
D9/P9	W-4-M03/233/H/M	11.5	3.8	3.7-5.9	11-10.3	18.5	右	-	针板上部水平	0.8	0.5	3000	6000
D9/P9	W-5-08/243	10.5	3.8	4.4-4.7	10.3	14.5	左	1.5	针板上部水平	0.8	0.5	5000	6000
D9/P9	W-5-08/333	10.5	3.8	4.4-4.7	10.3	14.5	左	3.3	针板上部水平	0.8	0.5	3000	6000
D9/P9	W-5-101/435	11.9	4.2	5.0-5.3	13	14.5	左	4.7	针板上部水平	1.1	0.5	5000	6000



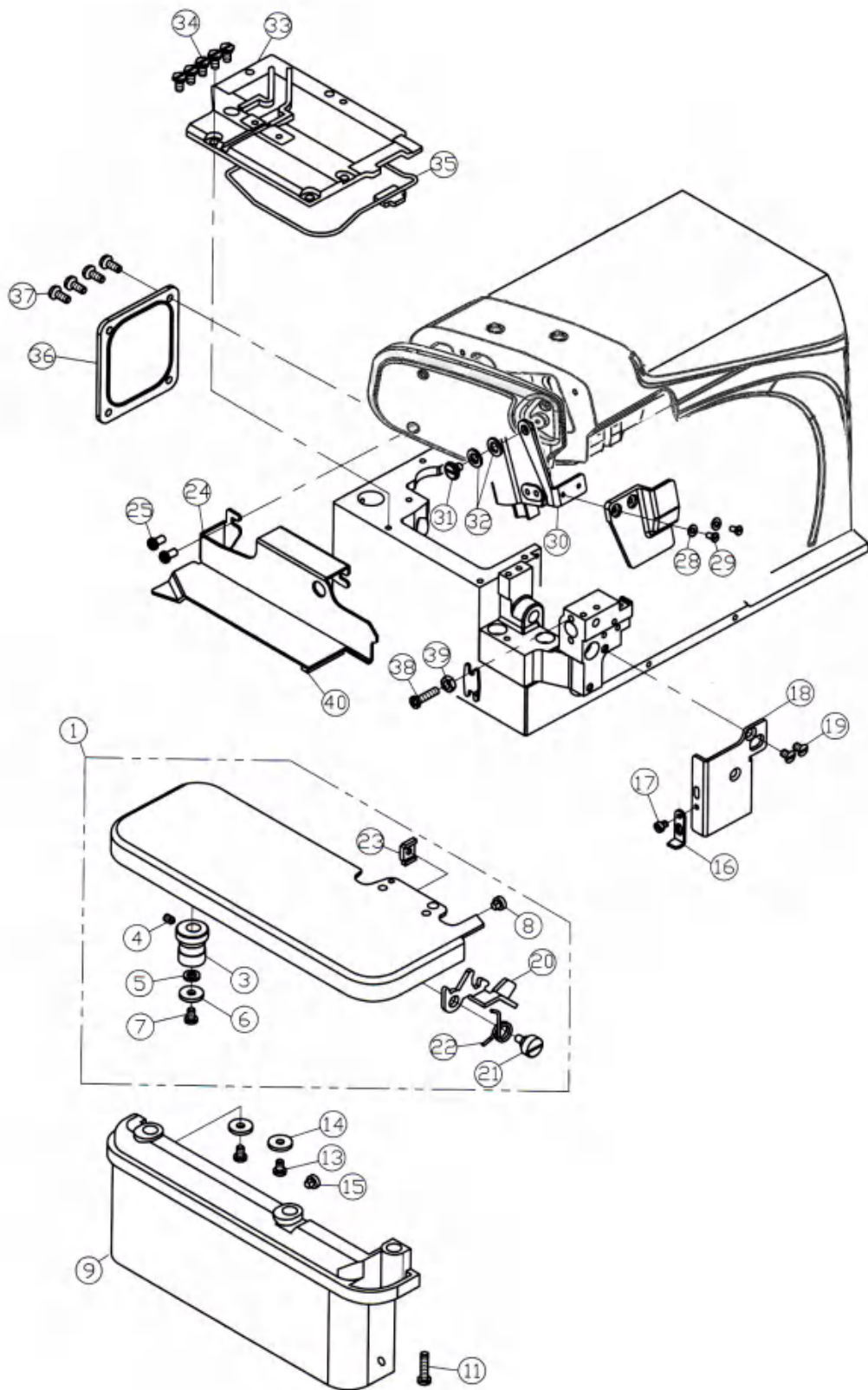
一、机壳部分/Machine Bed Frame

序号 NO.	名称	Description	数量 (Number)		
			三线 three-thread	四线 four-thread	五线 five-thread
1	销5×10	Pin	1	1	1
2	厚料摇杆定位销	Pin	0	0	1(厚料)
3	上弯针后轴套	Sleeve	1	1	1
4	上刀轴右套	Sleeve	5	5	5
5	送布轴油封	Plug	1	1	1
6	下刀座	Bracket Assembly	1	1	1
7	螺钉M6×25	Screw	2	2	2
8	销4×40	Pin	1	1	1
9	上刀轴左套	Sleeve	1	1	1
10	支柱	Bed pin	4	4	4
11	工艺孔销	Pin	1	1	1
12	差动轴套	Sleeve	1	1	1
13	主轴轴套	Sleeve	1	1	1
14	送布右轴套	Sleeve	1	1	1
15	销5×16	Pin	1	1	1
16	上轴左套	Sleeve	1	1	1
17	上轴右套	Sleeve	1	1	1
18	机壳(喷漆)D9/F9	Machine Bed Complete	1	1	1
19	过线管	Pipe	2	2	2
20	机型牌	Machine Model Plate	1	1	1
21	铆钉	Screw	2	2	2



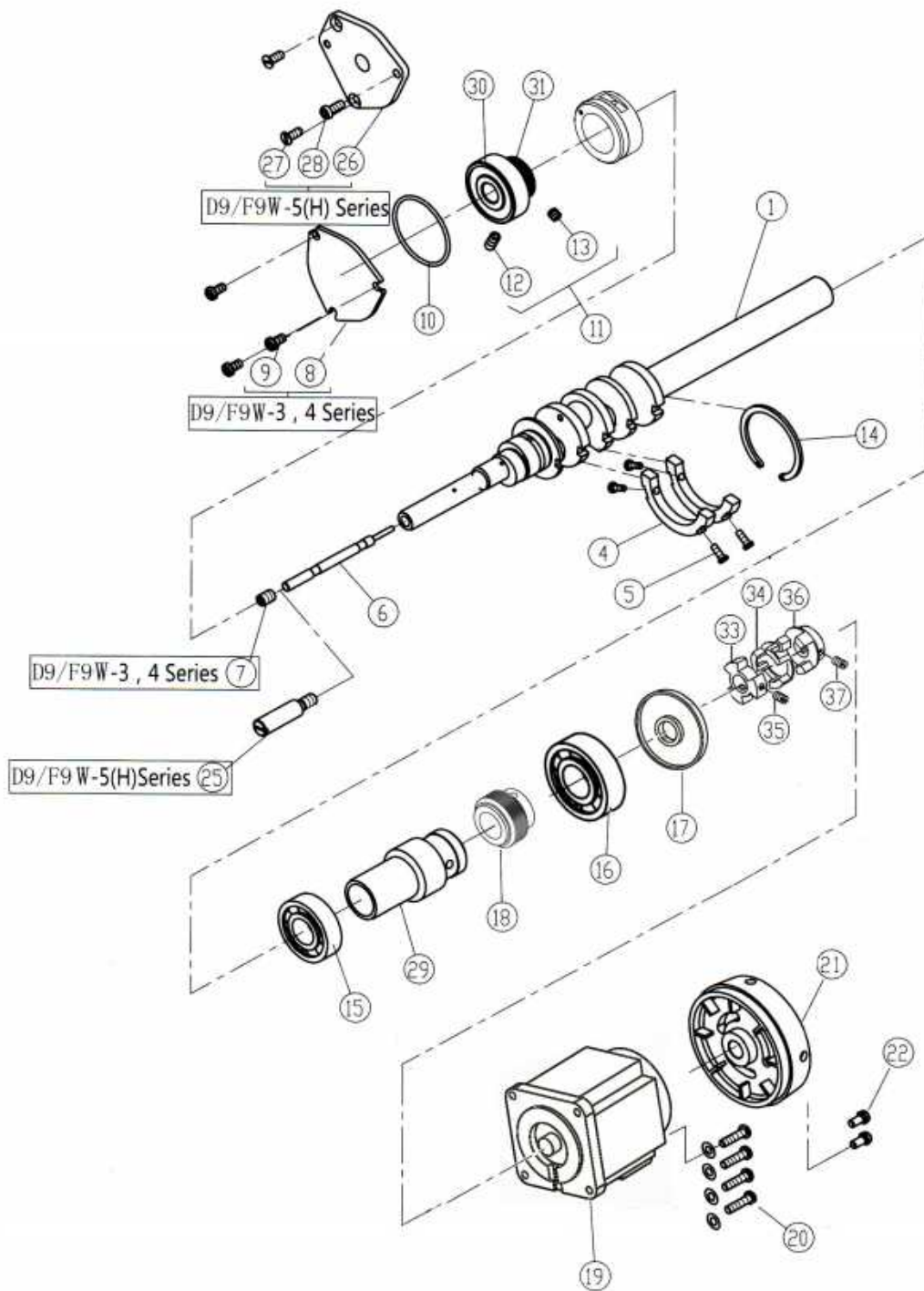
二、机壳机罩部件(1)/Cover (1)

序号 NO.	名称	Description	数量 (Number)		
			三线 three-thread	四线 four-thread	五线 five-thread
1	压脚杆组件 D9/F9	Presser Bar D9/F9	1	1	1
2	螺钉M4×10	Screw	4	4	4
3	侧盖 D9/F9	Side Cover D9/F9	1	1	1
4	密封垫	Gasket	1	1	1
5	油塞	Plug	1	1	1
6	油标盖	Oil sight window	1	1	1
7	油标盖垫	Washer	1	1	1
8	螺钉M4×10	Screw	4	4	4
9	上盖 D9/F9	Top Cover D9/F9	1	1	1
10	前罩板卡簧	Flat Spring	1	1	1
11	螺钉M4×12	Screw	2	2	2
12	螺钉M4×4.7	Screw	2	2	2
13	锁紧板	Latch	1	1	1
14	前盖板	Side Cover	1	1	1
15	螺钉M4×10	Screw	2	2	2
16	锁紧板	Latch	1	1	1
17	螺钉M3×2.5	Screw	1	1	1
18	铰链销	Pin	1	1	1
19	右前盖 D9/F9	Front Cover(right)	1	1	1
20	螺钉M4×4	Screw	2	2	2
21	铰链	Hinge	1	1	1
22	铰链销弹簧	Spring	2	2	2
23	螺钉M4×12	Screw	3	3	3
24	左前盖	Front Cover(left)	1	1	0
25	左前盖	Front Cover(left)	0	0	1
26	螺钉M4×5	Screw	2	2	2
27	螺钉M3×12	Screw	1	1	1
28	螺钉M3×4	Screw	1	1	1
29	穿线图	Threading diagram	0	0	1
30	穿线图	Threading diagram	1	1	1
31	油封	Oil seal	1	1	1
32	油封垫	Oil seal washer	1	1	1
33	主板壳体	The mainboard shell	1	1	1
34	螺钉M5×12	Screw	4	4	4
35	塑料上盖	The plastic cover	1	1	1
36	螺钉M4×10	Screw	4	4	4
37	上位机	Upper machine	0	0	1
38	上位机固定扣	The fixed button	1	1	1
39	上光眼组件D9/F9	Glazing eye assembly	1	1	1
40	螺钉M4×10	Screw	2	2	2



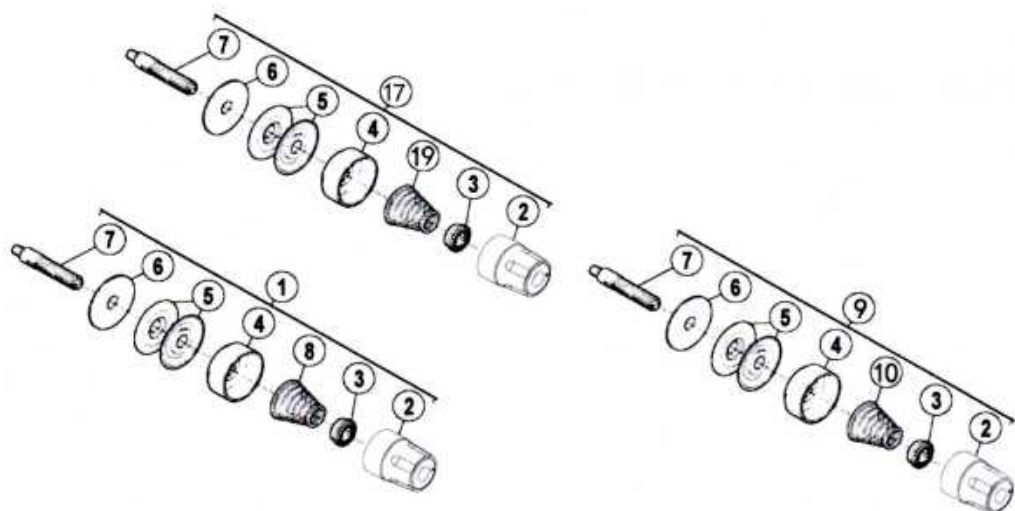
三、机壳机罩部件(2)/Cover(2)

序号 NO.	名称	Description	数量 (Number)		
			三线 three-thread	四线 four-thread	五线 five-thread
1	缝台组件	Cloth Plate	1	1	1
3	套筒	Bushing	1	1	1
4	螺钉M4×4	Screw	1	1	1
5	止动垫圈6	Washer	1	1	1
6	垫圈	Washer	1	1	1
7	螺钉M4×5	Screw	1	1	1
8	减震垫	Cushion Rubber	1	1	1
9	缝台侧盖	Side Cover	1	1	1
11	螺钉M4×17.5	Screw	1	1	1
13	螺钉M4×5	Screw	2	2	2
14	垫片	Washer	2	2	2
15	减震垫	Cushion Rubber	1	1	1
16	下刀座前垫护板	Latch	1	1	1
17	螺钉M3.5×4.5	Screw	1	1	1
18	挡板	Plate	1	1	1
19	螺钉M4×7.5	Screw	2	2	2
20	缝台簧	Lever	1	1	1
21	螺钉M4	Screw	1	1	1
22	扭簧	Spring	1	1	1
23	前盖板固定块	Bracket	1	1	1
24	布料挡板	Fabric Guide	1	1	1
25	螺钉M4×7.5	Screw	2	2	2
26	防护罩	Eye Guide	1	1	0
27	防护罩	Eye Guide	0	0	1
28	螺钉M3×6	Screw	2	2	2
29	垫圈3	Washer	2	2	2
30	托架	Bracket	1	1	1
31	螺钉M4	Screw	1	1	1
32	垫圈	Washer	2	2	2
33	上盖	Bed Cover Plate Assy.	1	1	1
34	螺钉M4×8	Screw	5	5	5
35	密封垫	Gasket	1	1	1
36	后窗板	Cover Plate	1	1	1
37	螺钉M4×10	Screw	4	4	4
38	螺钉M4×16	Screw	1	1	1
39	螺母M4	Nut	1	1	1
40	油盘垫	Oil Reservoir Cushion	1	1	1

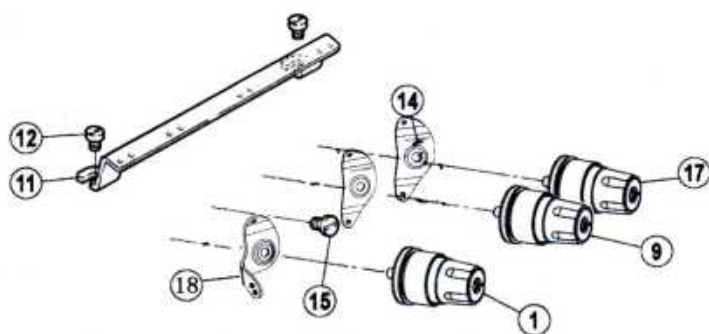


四、主轴部件/Crankshaft Drive Mechanism

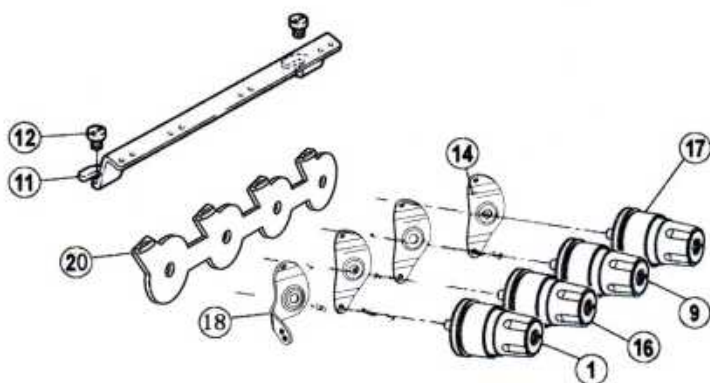
序号 NO.	名称	Description	数量 (Number)		
			三线 three-thread	四线 four-thread	五线 five-thread
1	主轴	Crankshaft	1	1	1
3	连杆垫片	Washer	2	2	2
4	平衡块	Blance Weight	2	2	2
5	螺钉M3×8	Screw	4	4	4
6	销	Pin	1	1	1
7	螺钉M6×8	Screw	1	1	1
8	前轴承盖	Cover	1	1	1
9	螺钉M4×7.5	Screw	3	3	3
10	O型圈40×1.8	O Ring	1	1	1
11	轴承6202LB	Ball Bearing	1	1	1
12	螺钉M5×10	Screw	1	1	1
13	螺钉M5×5	Screw	1	1	1
14	卡簧	Ring	1	1	1
15	轴承6203LLU	Ball Bearing	1	1	1
16	轴承6907Z	Ball Bearing	1	1	1
17	主轴密封圈55	Main shaft sealing ring	1	1	1
18	主轴中轴套	Oil Seal	1	1	1
19	直驱电机	Direct drive moter	1	1	1
20	螺钉 M5×20	Screw	4	4	4
21	皮带轮罩	Cover	1	1	1
22	螺钉	Screw	2	2	2
25	主轴接轴	Pin	0	0	1
26	前轴承盖	Cover	0	0	1
27	螺钉M4×10	Screw	0	0	2
28	螺钉M4×10	Screw	0	0	1
29	轴套	Spacer	1	1	1
30	O型圈30×1.2	O Ring	2	2	2
31	棘轮	Ratchet	1	1	1
32	O型圈41×1.8	O Ring	1	1	1
33	连轴器(A)	Connect block A	1	1	1
34	连轴器橡胶圈	Connect rubber A	1	1	1
35	连轴器螺钉	Screw	3	3	3
36	连轴器(B)	Connect block B	1	1	1
37	螺钉	Screw	3	3	3



■ 1 针 (1-needle)



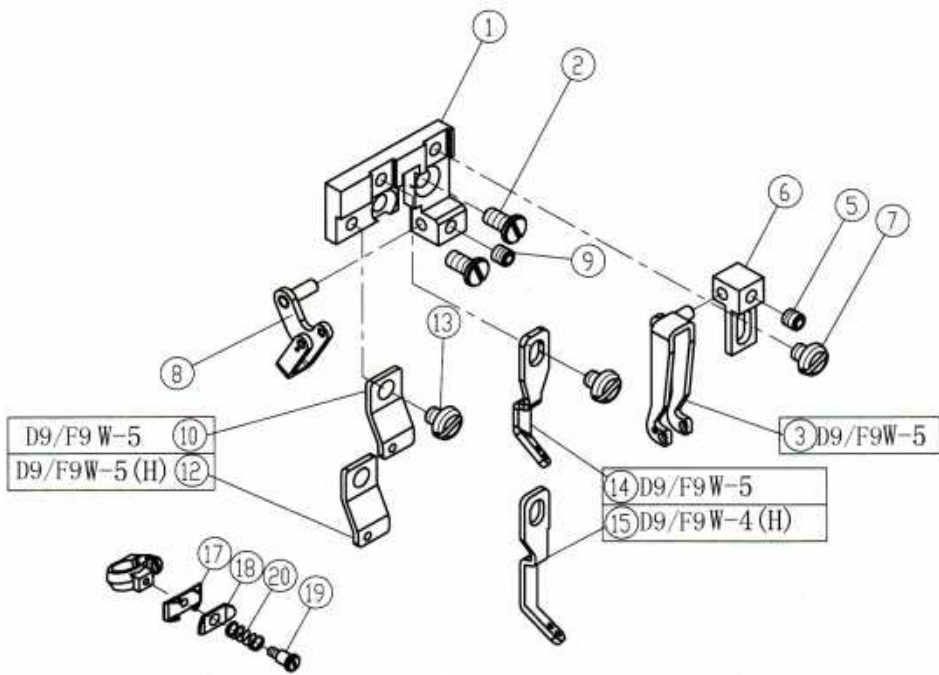
■ 2 针 (2-needle)



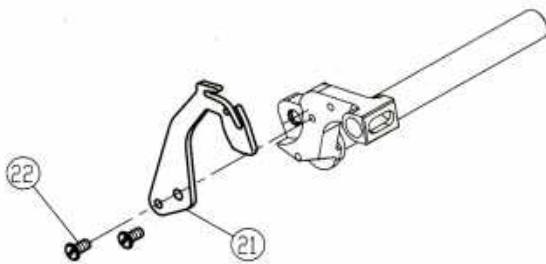
五、夹线部件/Thread Tension Mechanism

序号 NO.	名称	Description	数量 (Number)		
			三线 three-thread	四线 four-thread	五线 five-thread
1	夹线器组件 (红点)	Tension Spring Assembly	1	1	1
2	调压螺母	Knob	1	1	1
3	调压止动套	Ratchet	1	1	1
4	调压止动盖	Cup	1	1	1
5	夹线片	Tension Disc	2	2	2
6	夹线片垫	Felt	1	1	1
7	夹线螺钉	Screw Stud	1	1	1
8	调压簧	Spring	1	2	2
9	夹线器组件 (蓝点)	Tension Spring Assembly	1	1	1
10	调压簧 (中)	Spring	1	1	1
11	过线板	Thread Guide	1	1	1
12	螺钉M4×7.5	Screw	2	2	2
14	前过线板	Tension Guide	2	3	3
15	螺钉SM11/64×40	Screw	1	0	0
16	夹线器组件 (黄点)	Tension Spring Assembly	0	1	1
17	夹线器组件 (绿点)	Tension Spring Assembly	1	1	1
18	过线板	Thread Guide	1	1	1
19	调压簧 (弱)	Spring	1	1	1
20	过线板二	Thread Guide	1	1	1

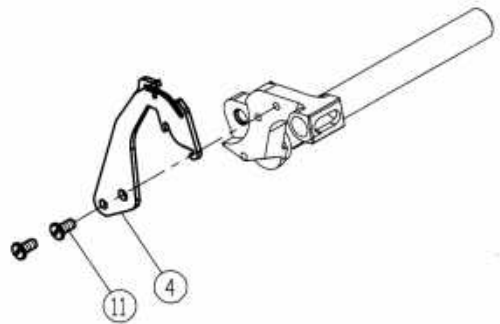
D9/F9W-5 (H)



D9/F9W-5



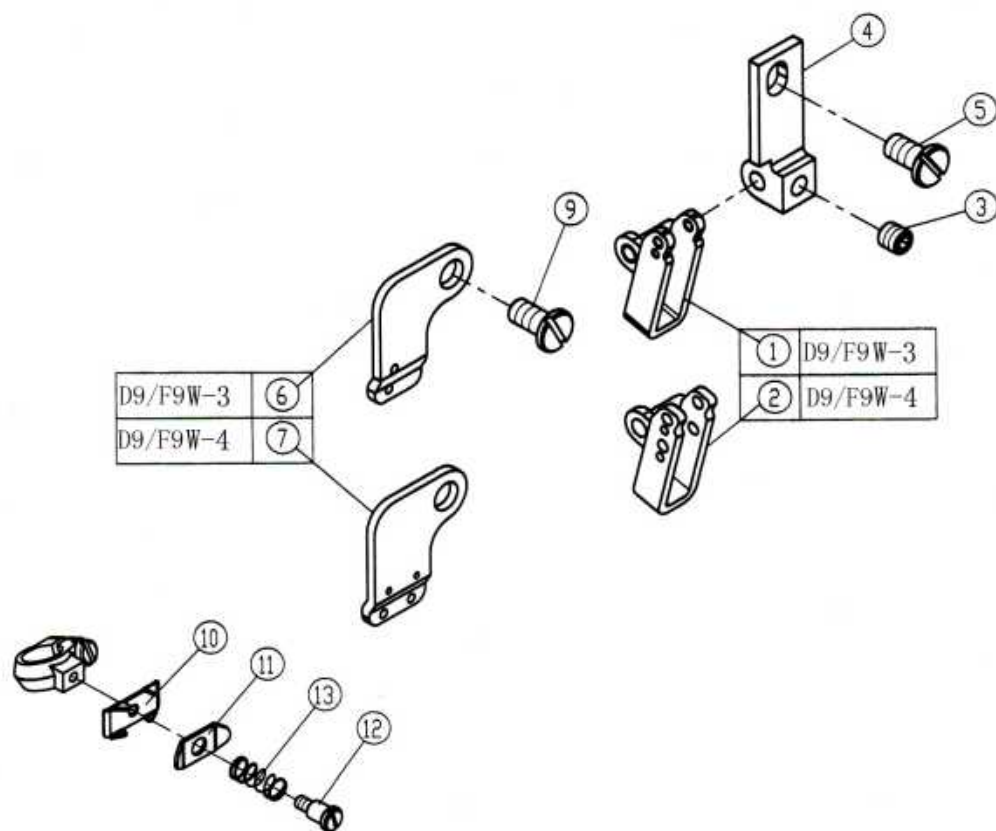
D9/F9W-5 (H)



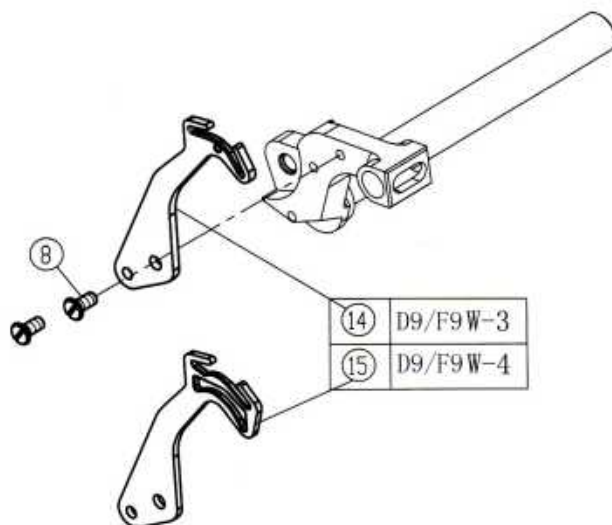
六、过线机构(1)/Thread Guide and Thread Takeup(1)

序号 NO.	名称	Description	数量 (Number)		
			三线 three-thread	四线 four-thread	五线 five-thread
1	托架	Bracket	0	0	1
2	螺钉M4×7.5	Screw	0	0	2
3	过线	Thread Guide	0	0	1
4	挑线杆	Thread Takeup	0	0	1
5	螺钉M4×4	Screw	0	0	1
6	托架	Bracket	0	0	1
7	螺钉M4×4.7	Screw	0	0	1
8	过线	Thread Guide	0	0	1
9	螺钉M4×4	Screw	0	0	1
10	过线	Thread Guide	0	0	1
11	螺钉M3×6	Screw	0	0	2
12	过线	Thread Guide	0	0	1
13	螺钉M4×4.7	Screw	0	0	1
14	过线	Thread Guide	0	0	1
15	过线	Thread Guide	0	0	1
16	螺钉M4×4.7	Screw	0	0	1
17	托架	Bracket	0	0	1
18	压线板	Thread Retainer	0	0	1
19	螺钉	Screw	0	0	1
20	压簧	Spring	0	0	1
21	挑线杆	Thread Takeup	0	0	1
22	螺钉M3×6	Screw	0	0	2

D9/F9W-3/4

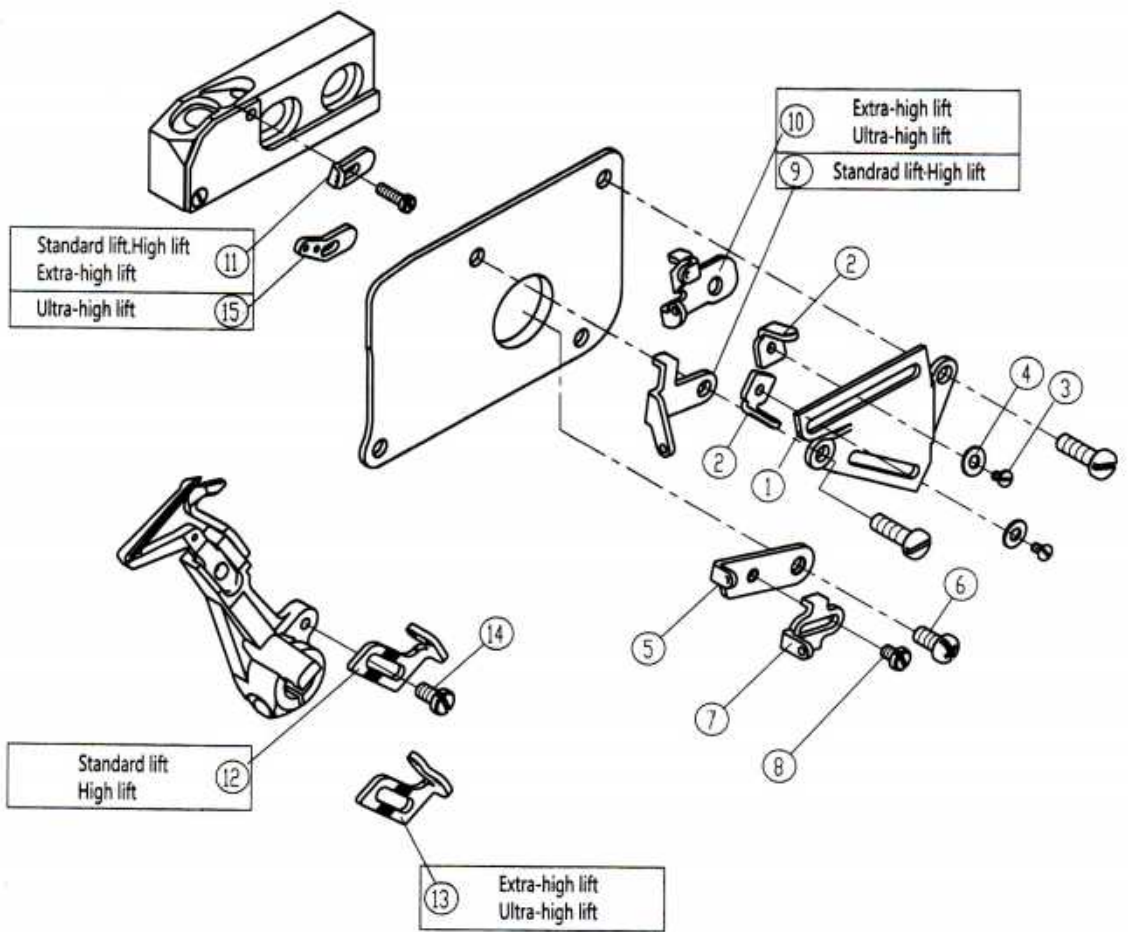


D9/F9W-3/4



七、过线机构(2)/Thread Guide and Thread Takeup(2)

序号 NO.	名称	Description	数量 (Number)		
			三线 three-thread	四线 four-thread	五线 five-thread
1	过线	Thread Guide	1	0	0
2	过线	Thread Guide	0	1	0
3	螺钉M4×4	Screw	1	1	0
4	托架	Bracket	1	1	0
5	螺钉M4×4.7	Screw	1	1	0
6	过线	Thread Guide	1	0	0
7	过线	Thread Guide	0	1	0
8	螺钉M3×6	Screw	2	2	0
9	螺钉M4×4.7	Screw	1	1	0
10	托架	Bracket	1	1	0
11	压线板	Thread Retainer	1	1	0
12	螺钉	Screw	1	1	0
13	压簧	Spring	1	1	0
14	挑线杆	Thread Takeup	- 1	0	0
15	挑线杆	Thread Takeup	0	1	0

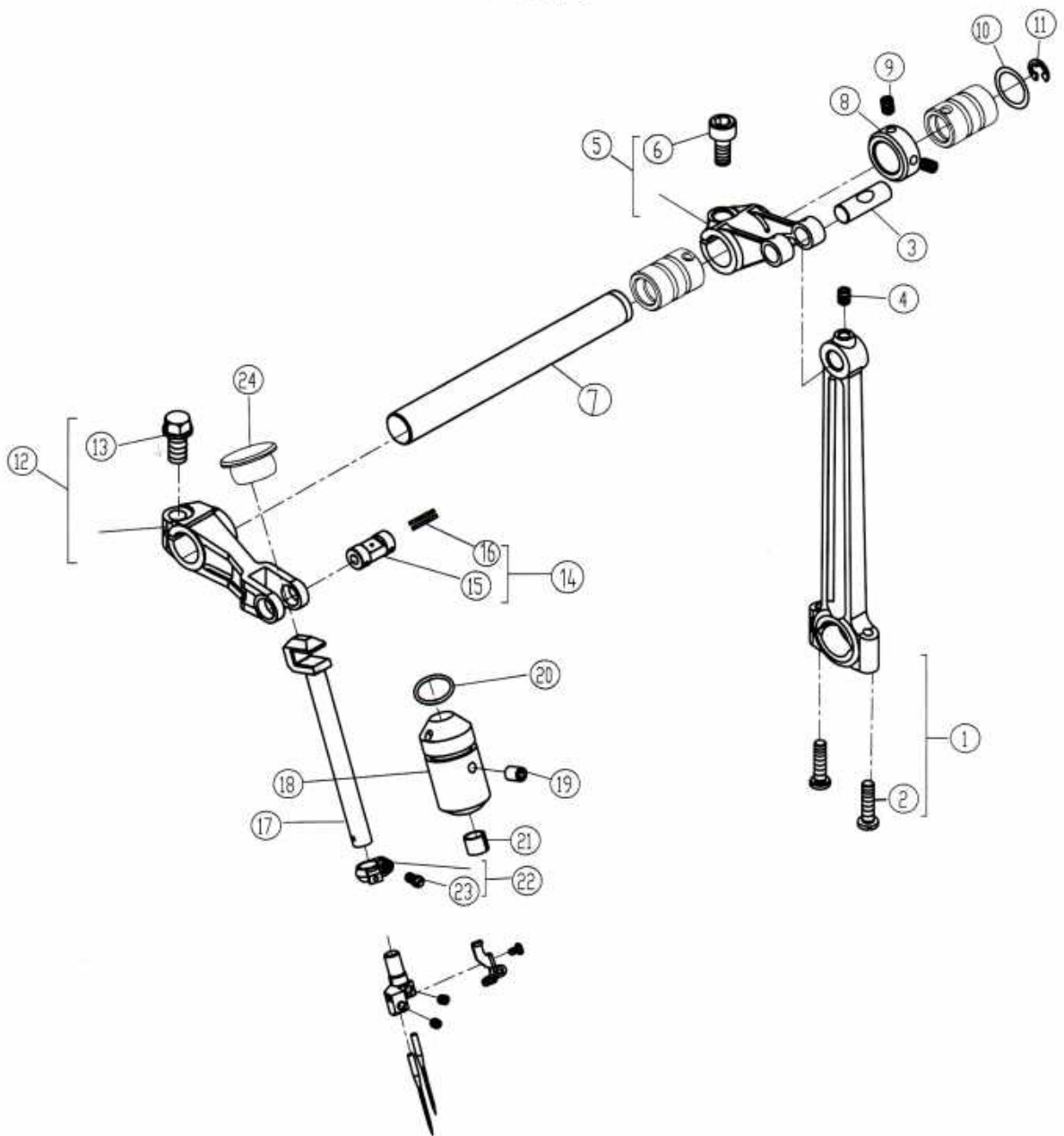


八、过线机构(3)/Thread Guide and Thread Takeup(3)

序号 NO.	名称	Description	数量 (Number)		
			三线 three-thread	四线 four-thread	五线 five-thread
1	托架	Bracket	1	1	1
2	过线	Thread Guide	2	2	2
3	螺钉	Screw	2	2	2
4	垫圈	Washer	2	2	2
5	挑线架	Thread Takeup	1	1	1
6	螺钉M4×7.5	Screw	1	1	1
7	过线	Thread Guide	1	1	1
8	螺钉M3×4	Screw	1	1	1
9	过线	Thread Guide	1	1	0
10	过线	Thread Guide	0	0	1
11	过线	Thread Guide	0	0	1
12	挑线架	Thread Takeup	1	1	0
13	挑线架	Thread Takeup	0	0	1
14	螺钉M3.5×6	Screw	1	1	1
15	过线	Thread Guide	1	1	1

D9/F9W-5 (5)

D9/F9W-3/4

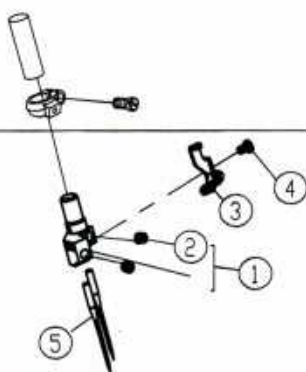


九、针杆部件(1)/Needle Drive Mechanism(1)

序号 NO.	名称	Description	数量 (Number)		
			三线 three-thread	四线 four-thread	五线 five-thread
1	针杆连杆	Connection	1	1	1
2	螺钉M4×16	Screw	2	2	2
3	曲柄销	Pin	1	1	1
4	螺钉M4×6	Screw	1	1	1
5	上轴曲柄	Crank	1	1	1
6	螺钉M6×0.75×12	Screw	1	1	1
7	上轴	Shaft	1	1	1
8	上轴挡圈	Collar	1	1	1
9	螺钉M4×4	Screw	2	2	2
10	上刀架垫片	Washer	1	1	1
11	挡圈8	Ring	1	1	1
12	针杆曲柄组件	Lever	1	1	1
13	螺钉	Screw	1	1	1
14	曲柄销组件	Shaft Assembly	1	1	1
15	曲柄销	Shaft	1	1	1
16	油线	Oil wick	1	1	1
17	针杆	Needle Bar	1	1	1
18	针杆套	Bushing	1	1	1
19	螺钉M4×5	Screw	1	1	1
20	O型圈11.5×1.5	O Ring	1	1	1
21	毛毡	Oil Felt	1	1	1
22	挡圈	Ring	1	1	1
23	螺钉M3×6	Screw	1	1	1
24	油塞	Plug	1	1	1

2针 (2-needle)

D9/F9W-5



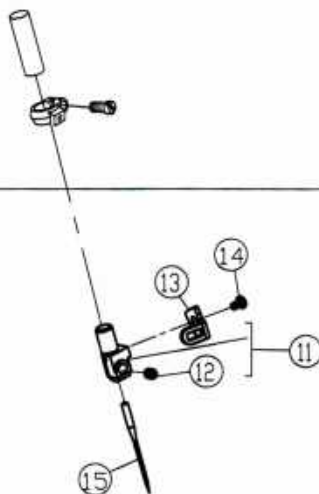
D9/F9W-5 (H) -A04

Except

D9/F9W-5 (H) -A05

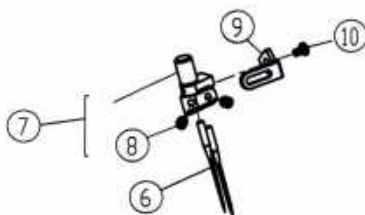
1针 (1-needle)

D9/F9W-3



2针 (2-needle)

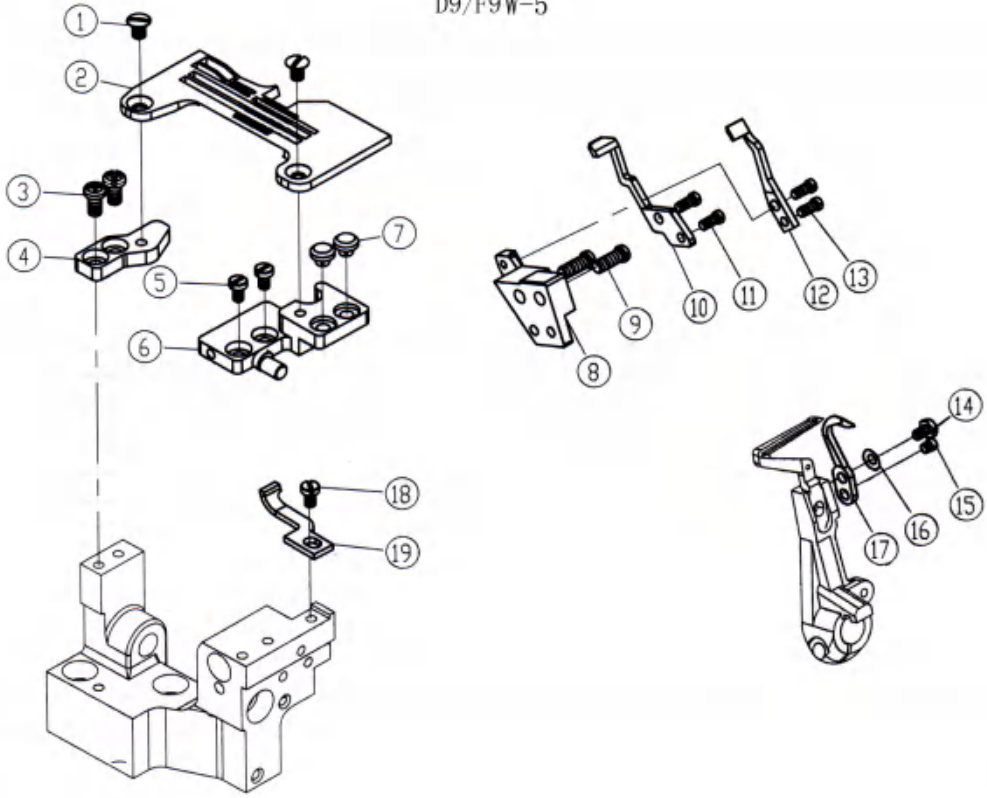
D9/F9W-4



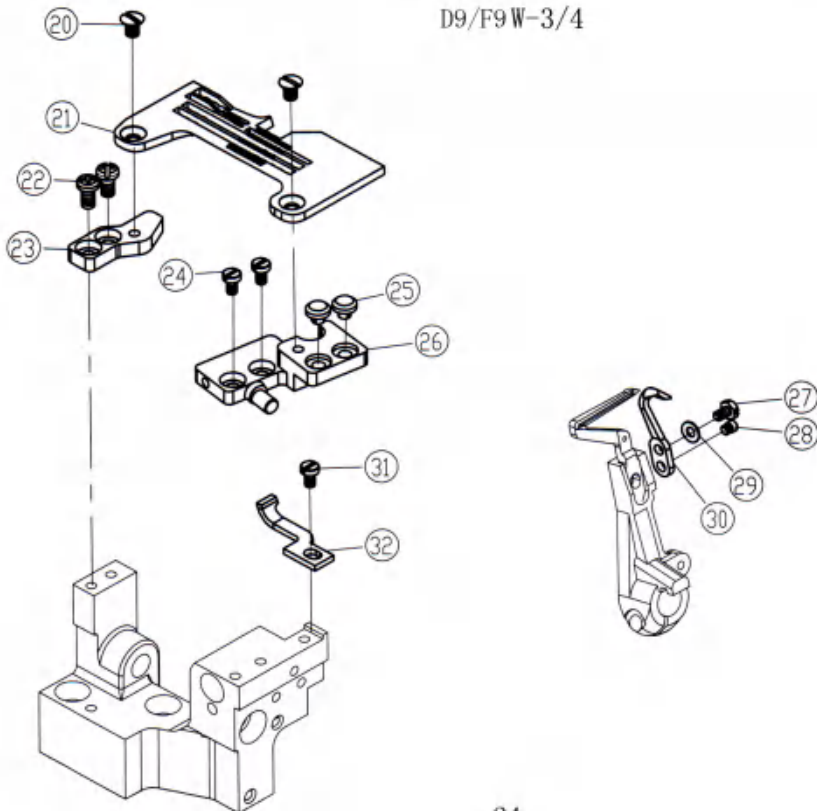
十、针杆部件(2)/Needle Drive Mechanism(2)

序号 NO.	名称	Description	数量 (Number)		
			三线 three-thread	四线 four-thread	五线 five-thread
1	针夹头	Needle Holder Assembly	0	0	1
1	针夹头 (五线70)	Needle Holder Assembly	0	0	1
1	针夹头 (五线厚料)	Needle Holder Assembly	0	0	1
2	螺钉M3×3	Screw	0	0	2
3	过线	Thread Guide	0	0	1
4	螺钉M2×3	Screw	0	0	1
5	机针	Needle	0	0	2
6	机针	Needle	0	2	0
7	(四线)针夹头	Needle Holder	0	1	0
8	螺钉M3×3	Screw	0	2	0
9	过线	Thread Guide	0	1	0
10	螺钉M2×3	Screw	0	1	0
11	(三线)针夹头	Needle Holder Assembly	1	0	0
12	螺钉M3×3	Screw	1	0	0
13	过线(一针)	Thread Guide	1	0	0
14	螺钉M2×3	Screw	1	0	0
15	机针	Needle	1	0	0

D9/F9W-5



D9/F9W-3/4

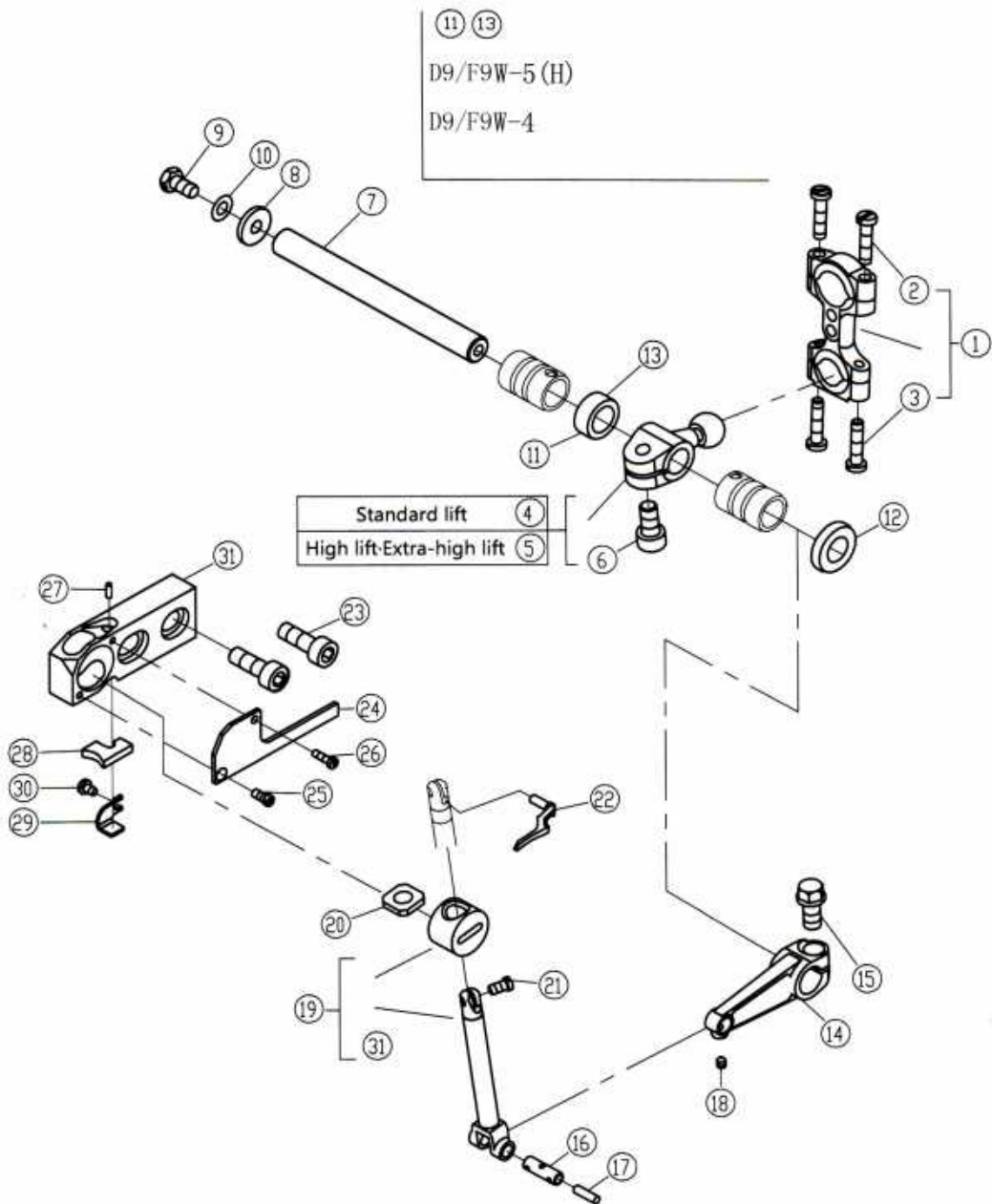


十一. 针杆部件(3) Needle Drive Mechanism(3)

序号 NO.	名称	Description	数量 (Number)		
			三线 three-thread	四线 four-thread	五线 five-thread
1	螺钉M4×7.5	Screw	0	0	2
2	针板	Needle Plate	0	0	1
3	螺钉M4×7.5	Screw	0	0	2
4	针板垫块(后)	Bracket	0	0	1
5	螺钉M4×7.5	Screw	0	0	2
6	针板垫块(前)	Bracket	0	0	1
7	防震垫	Cushion Rubber	0	0	2
8	托架	Bracket	0	0	1
9	螺钉M4×10	Screw	0	0	2
10	机针护针(后)	Needle Guard	0	0	1
11	螺钉M3×6	Screw	0	0	2
12	链弯针护针	Needle Guard	0	0	1
13	螺钉M3×6	Screw	0	0	2
14	螺钉	Screw	0	0	1
15	螺钉M4×7.5	Screw	0	0	1
16	垫圈3	Spring	0	0	1
17	护针(后)	Needle Guard	0	0	1
18	螺钉M3	Screw	0	0	1
19	机针护针(前)	Needle Guard	0	0	1
20	螺钉M4×7.5	Screw	2	2	0
21	针板	Needle Plate	0	1	0
22	螺钉M4×7.5	Screw	2	2	0
23	针板垫块(后)	Bracket	1	1	0
24	螺钉M4×7.5	Screw	2	2	0
25	减震垫	Cushion Rubber	2	2	0
26	针板垫块(前)	Bracket	1	1	0
27	螺钉	Screw	1	1	0
28	螺钉M3	Screw	1	1	0
29	垫圈3	Spring	1	1	0
30	护针(后)	Needle Guard	1	1	0
31	螺钉M4×7.5	Screw	1	1	0
32	护针(前)	Needle Guard	1	1	0

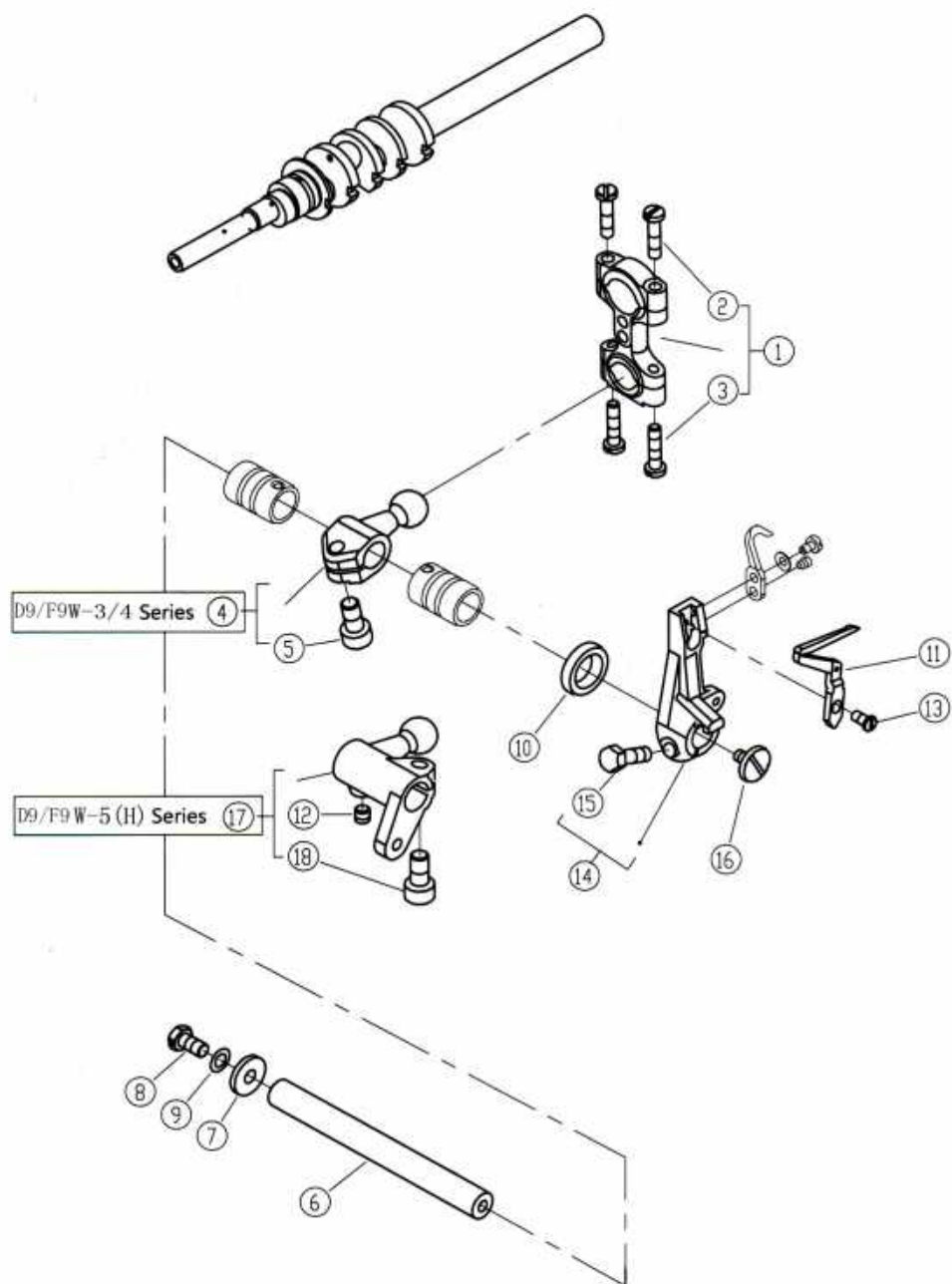
D9/F9W-5 (H) Series

D9/F9W-3/4 Series



十二、上弯针部件/Upper Looper Drive Mechanism

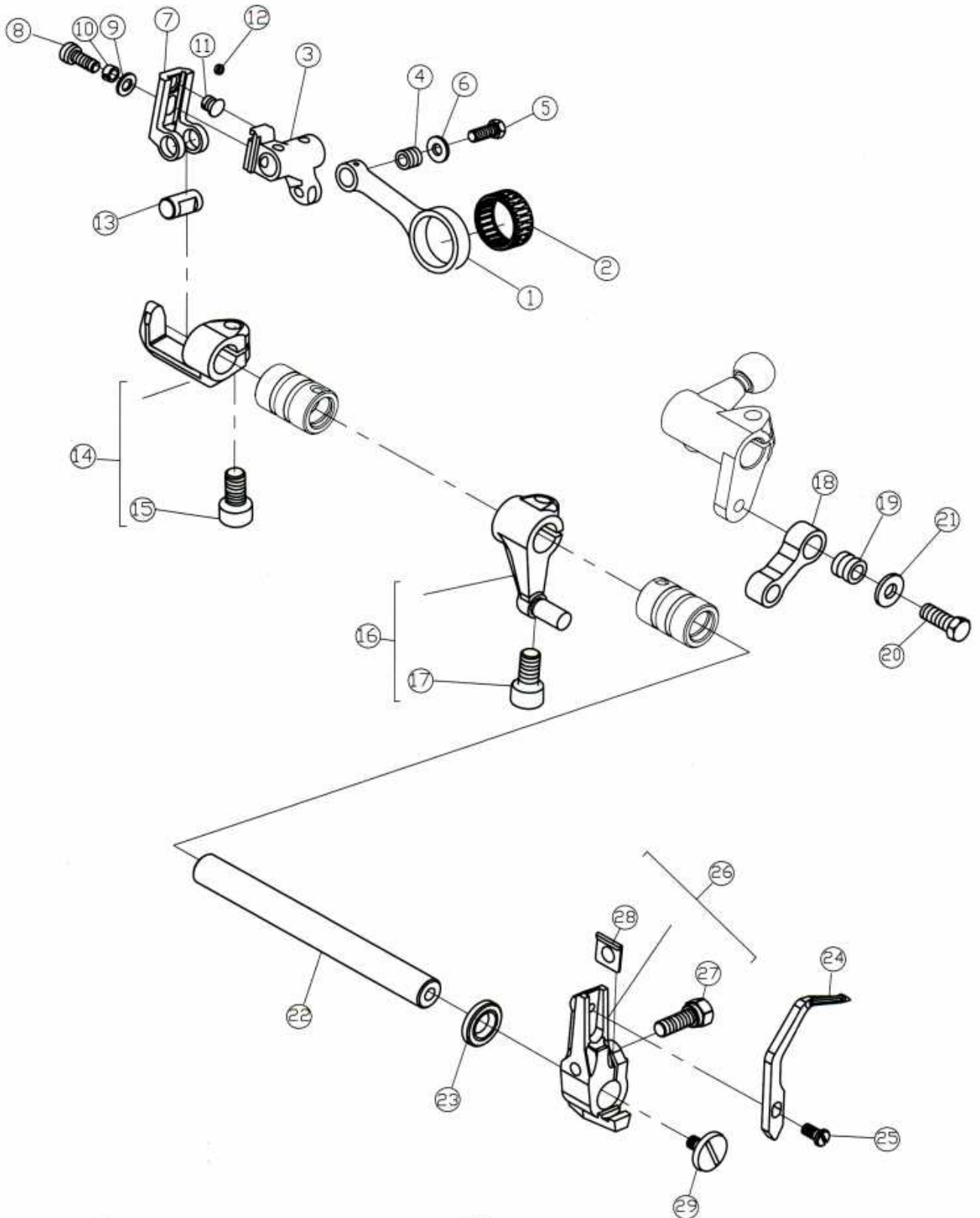
序号 NO.	名称	Description	数量 (Number)		
			三线 three-thread	四线 four-thread	五线 five-thread
1	弯针连杆	Connection	1	1	1
2	螺钉M4×16	Screw	2	2	2
3	螺钉M4×17.5	Screw	2	2	2
4	上弯针球曲柄	Crank	1	0	0
5	上弯针球曲柄	Crank	0	1	1
6	螺钉M6×0.75×12	Screw	1	1	1
7	下弯针轴	Shaft	1	1	1
8	垫圈	Washer	1	1	1
9	螺钉M4×10	Screw	1	1	1
10	上弯针垫圈	Spring Washer	1	1	1
11	衬套	Spacer	0	1	0
12	油封	Oil Seal	1	1	1
13	衬套A	Spacer	1	0	1
14	连杆	Lever	1	1	1
15	螺钉	Screw	1	1	1
16	曲柄销	Pin Assy.	1	1	1
17	788油线	Oil Wick	1	1	1
18	螺钉M3×4	Screw	1	1	1
19	上弯针滑杆组件	Upper Looper Holder Assy	1	1	1
20	上弯针滑杆套油毡	Felt	1	1	1
21	螺钉M3.5×6.7	Screw	1	1	1
22	上弯针	Upper Looper	1	1	1
23	螺钉M6×16	Screw	2	2	2
24	盖板	Cover	1	1	1
25	螺钉M2.5×6	Screw	1	1	1
26	螺钉M2.5×8	Screw	1	1	1
27	795油线	Oil Wick	1	1	1
28	吸油棉	Felt	1	1	1
29	压板	Bracket	1	1	1
30	螺钉M3×4	Screw	1	1	1
31	上弯针滑块座	Upper Looper Bracket	1	1	1
32	连杆垫片	Washer	1	1	1
33	螺钉	Screw	2	2	2



十三、下弯针部件/Lower Looper Drive Mechanism

序号 NO.	名称	Description	数量 (Number)		
			三线 three-thread	四线 four-thread	五线 five-thread
1	弯针连杆	Connection	1	1	1
2	螺钉M4×16	Screw	2	2	2
3	螺钉M4×17.5	Screw	2	2	2
4	下弯针球曲柄	Crank	1	1	0
5	螺钉M6×0.75×12	Screw	1	1	0
6	下弯针轴	Shaft	1	1	1
7	垫圈	Washer	1	1	1
8	螺钉M4×10	Screw	1	1	1
9	上弯针垫圈	Spring Washer	1	1	1
10	油封	Oil Seal	1	1	1
11	下弯针	Lower Looper	1	1	1
12	螺钉M5×5	Screw	0	0	1
13	螺钉M3.5×6.5	Screw	1	1	1
14	下弯针架	Lower Looper Holder	1	1	1
15	螺钉M5×13	Screw	1	1	1
16	螺钉M4×7	Screw	1	1	1
17	下弯针球曲柄	Crank	0	0	1
18	螺钉M6×0.75×12	Screw	0	0	1
19	连杆垫片	Washer	1	1	1
20	螺钉	Screw	2	2	2

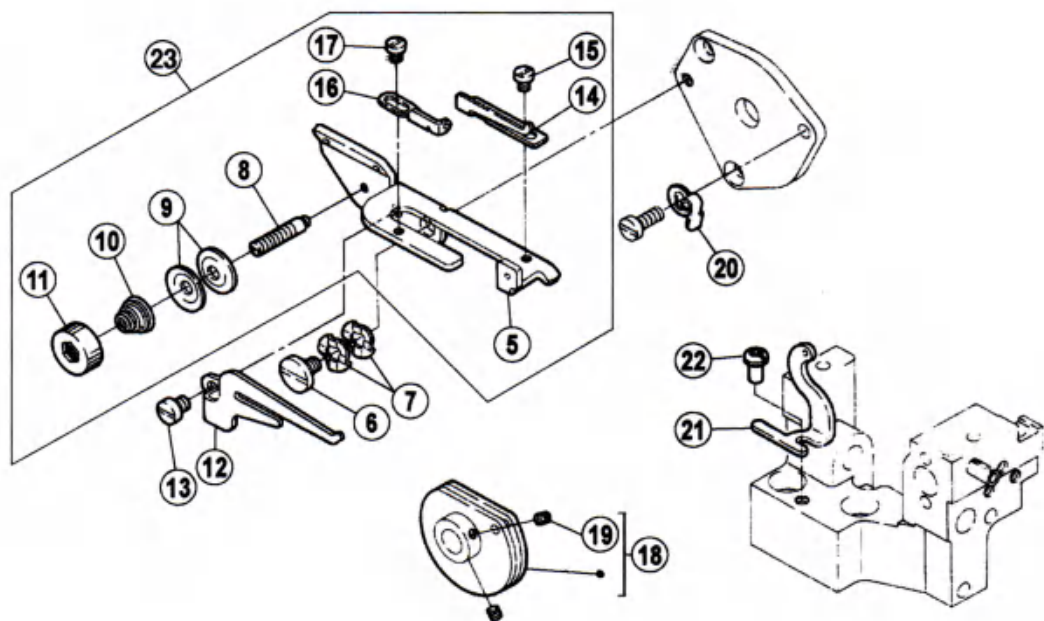
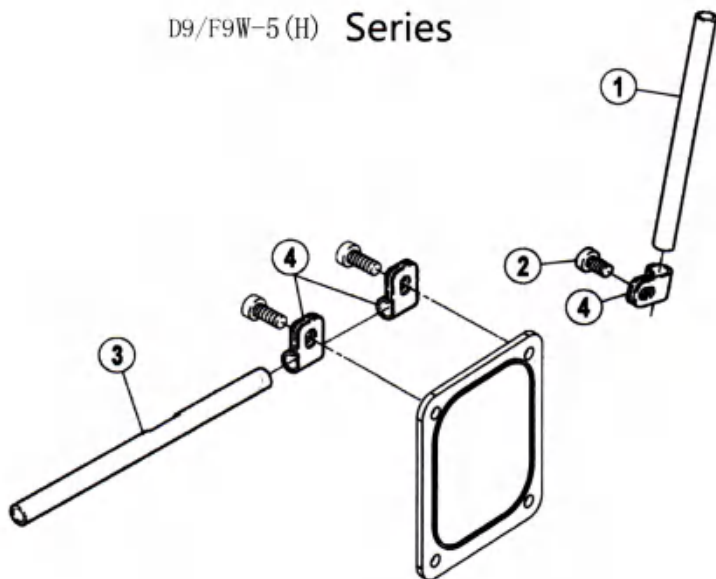
D9/F9W-5(H) Series



十四、二重环弯针机构(1)/Chainstitch Looper Drive Mechanism(1)

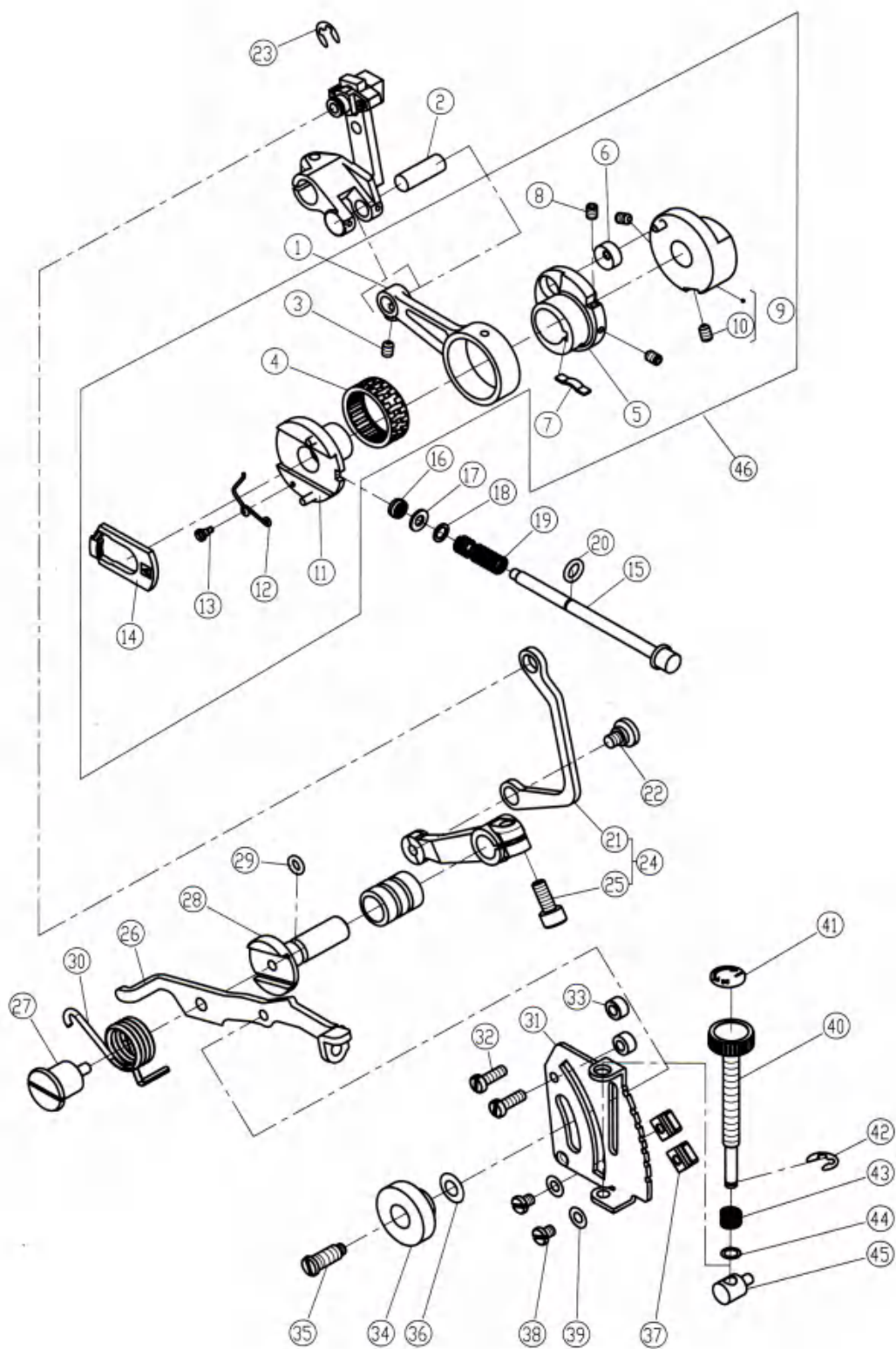
序号 NO.	名称	Description	数量 (Number)		
			三线 three-thread	四线 four-thread	五线 five-thread
1	连杆	Connection	0	0	1
2	滚针k22×18×8	Needle Bearing	0	0	1
3	曲柄	Crank	0	0	1
4	连杆套	Bushing	0	0	1
5	螺钉M5×13	Screw	0	0	1
6	垫圈	Washer	0	0	1
7	滑块座	Slider	0	0	1
8	螺钉M5×12	Screw	0	0	1
9	送布曲柄销垫圈	Washer	0	0	1
10	上弯针垫圈	Spring Washer	0	0	1
11	偏心销	Pin	0	0	1
12	O型圈4×1.3	O Ring	0	0	1
13	五线销	Shaft	0	0	1
14	支架	Holder	0	0	1
15	螺钉M6×0.75×12	Screw	0	0	1
16	链线曲柄	Crank	0	0	1
17	螺钉M6×0.75×12	Screw	0	0	1
18	连杆	Link	0	0	1
19	连杆套	Bushing	0	0	1
20	螺钉M5×13	Screw	0	0	1
21	垫圈	Washer	0	0	1
22	链线轴	Shaft	0	0	1
23	油封	Oil Seal	0	0	1
24	弯针	Double Chainstith Looper	0	0	1
25	螺钉M3.5×6.5	Screw	0	0	1
26	弯针架	Looper Holder	0	0	1
27	螺钉M5×13	Screw	0	0	1
28	垫片	Spacer	0	0	1
29	螺钉M4×7	Screw	0	0	1

D9/F9W-5 (H) Series



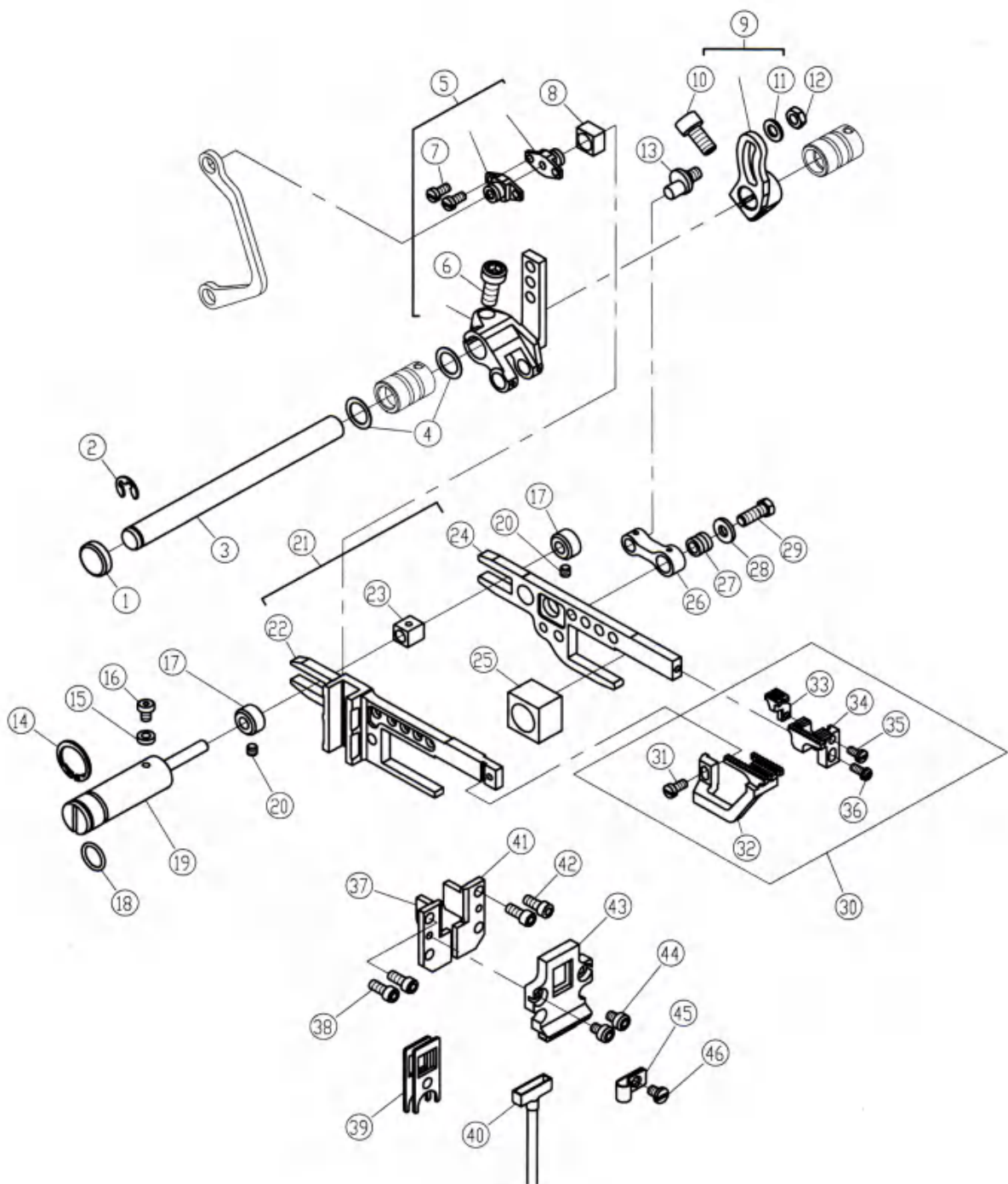
十五、二重环弯针机构(2)/Chainstitch Looper Drive Mechanism(2)

序号 NO.	名称	Description	数量 (Number)		
			三线 three-thread	四线 four-thread	五线 five-thread
1	过线管	Thread Guide	0	0	1
2	螺钉M4×7.5	Screw	0	0	1
3	过线管	Thread Guide	0	0	1
4	过线管夹	Holder	0	0	3
5	打线凸轮组件	Looper Thread Takeup Assy	0	0	1
6	螺钉M4	Screw	0	0	1
7	垫圈	Washer	0	0	1
8	螺钉M3	Screw	0	0	1
9	夹线片	Tension Disc	0	0	2
10	弹簧	Spring	0	0	1
11	紧线手柄	Knob	0	0	1
12	分线板	Thread Guide	0	0	1
13	螺钉M4×7.5	Screw	0	0	1
14	过线	Thread Guide	0	0	1
15	螺钉M3×4	Screw	0	0	1
16	过线	Thread Guide	0	0	1
17	螺钉M3×4	Screw	0	0	1
18	打线凸轮	Looper Thread Takeup	0	0	1
19	螺钉M3×3	Screw	0	0	2
20	卡簧	Spring	0	0	1
21	过线	Tread Guide	0	0	1
22	螺钉M4×7.5	Screw	0	0	1
23	打线凸轮组件	Looper Thread Takeup Assy	0	0	1



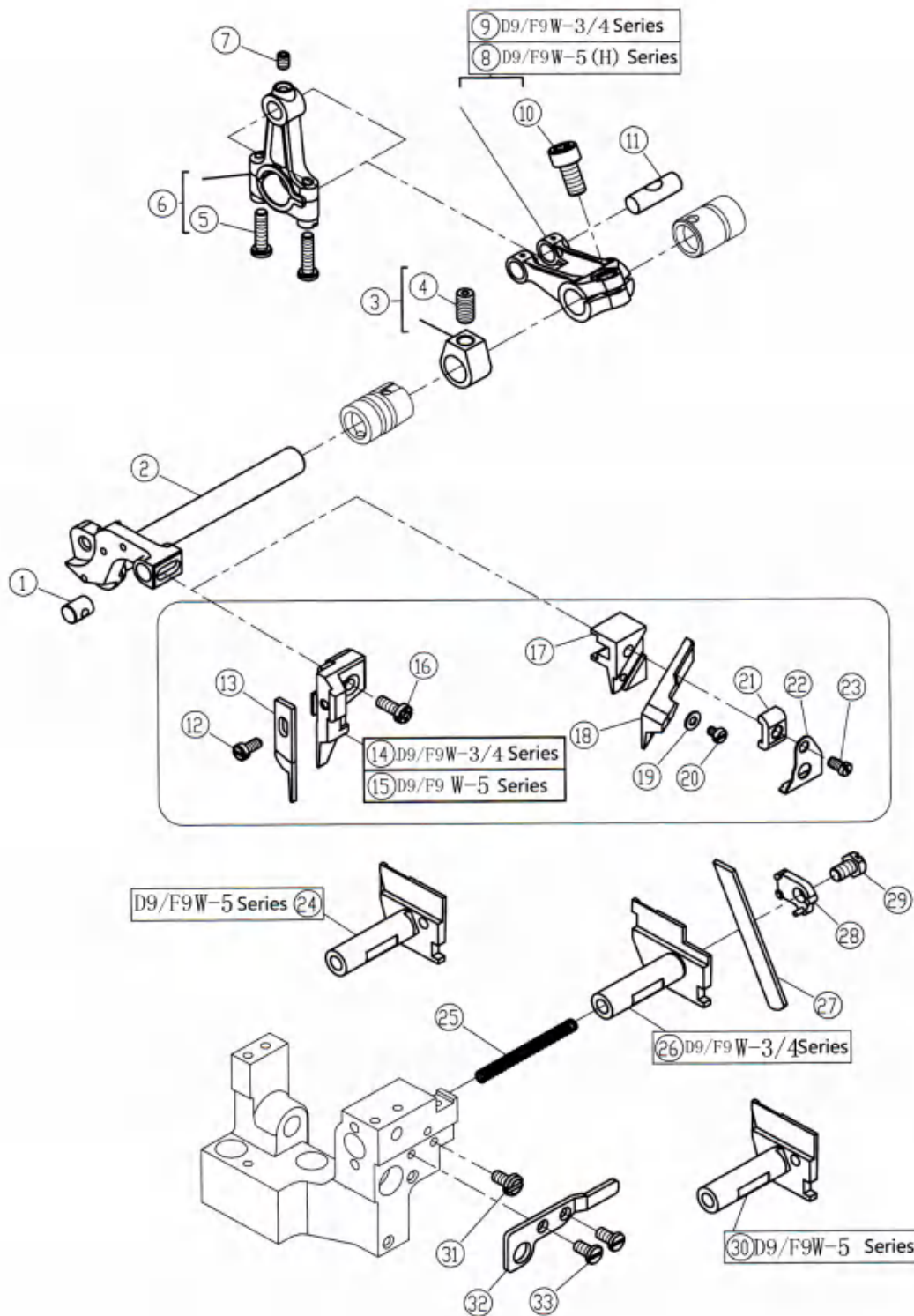
十六、差动调节机构/Feed Mechanism

序号 NO.	名称	Description	数量 (Number)		
			三线 three-thread	四线 four-thread	五线 five-thread
1	送料连杆	Connection	1	1	1
2	曲柄销	Pin	1	1	1
3	螺钉M4×6	Screw	1	1	1
4	滚针轴承26×22×10	Needle Bearing	1	1	1
5	偏心轮	Eccent	1	1	1
6	小偏心轮	Feed Eccent	1	1	1
7	弹簧板	Flat Spring	1	1	1
8	螺钉M3×4	Screw	2	2	2
9	送布偏心	Regulator	1	1	1
10	螺钉M5×5	Screw	2	2	2
11	开针偏心凸轮	Eccent Assembly	1	1	1
12	弹簧	Spring	1	1	1
13	螺钉M2	Screw	1	1	1
14	滑块	Ratchet	1	1	1
15	开针掀扭轴	Push Button	1	1	1
16	油封	Gaket	1	1	1
17	O型圈4×1.3	O Ring	1	1	1
18	垫片	Washer	1	1	1
19	弹簧	Spring	1	1	1
20	卡簧3.5	Ring	1	1	1
21	差动连片	Link	1	1	1
22	螺钉M5×5	Screw	1	1	1
23	卡簧	Ring	1	1	1
24	差动曲柄	Lever	1	1	1
25	螺钉M6×0.75×12	Screw	1	1	1
26	差动杆	Lever	1	1	1
27	螺钉	Screw	1	1	1
28	差动轴	Shaft	1	1	1
29	差动轴O型圈	O Ring	1	1	1
30	差动扳手定位簧	Spring	1	1	1
31	调节板	Regulator Plate	1	1	1
32	螺钉M4×12	Screw	2	2	2
33	垫圈	Spacer	2	2	2
34	调节螺母	Nut	1	1	1
35	螺钉	Screw	1	1	1
36	蝶形垫片	Spring Washer	1	1	1
37	螺母	Stopper	2	2	2
38	螺钉M4×5	Screw	2	2	2
39	垫片	Washer	2	2	2
40	调节杆	Adjusting Bar	1	1	1
41	标签	Seal	1	1	1
42	卡簧3.5	Ring	1	1	1
43	弹簧	Spring	1	1	1
44	垫片	Washer	1	1	1
45	螺母	Pin	1	1	1
46	送料连杆组件	Connection	1	1	1



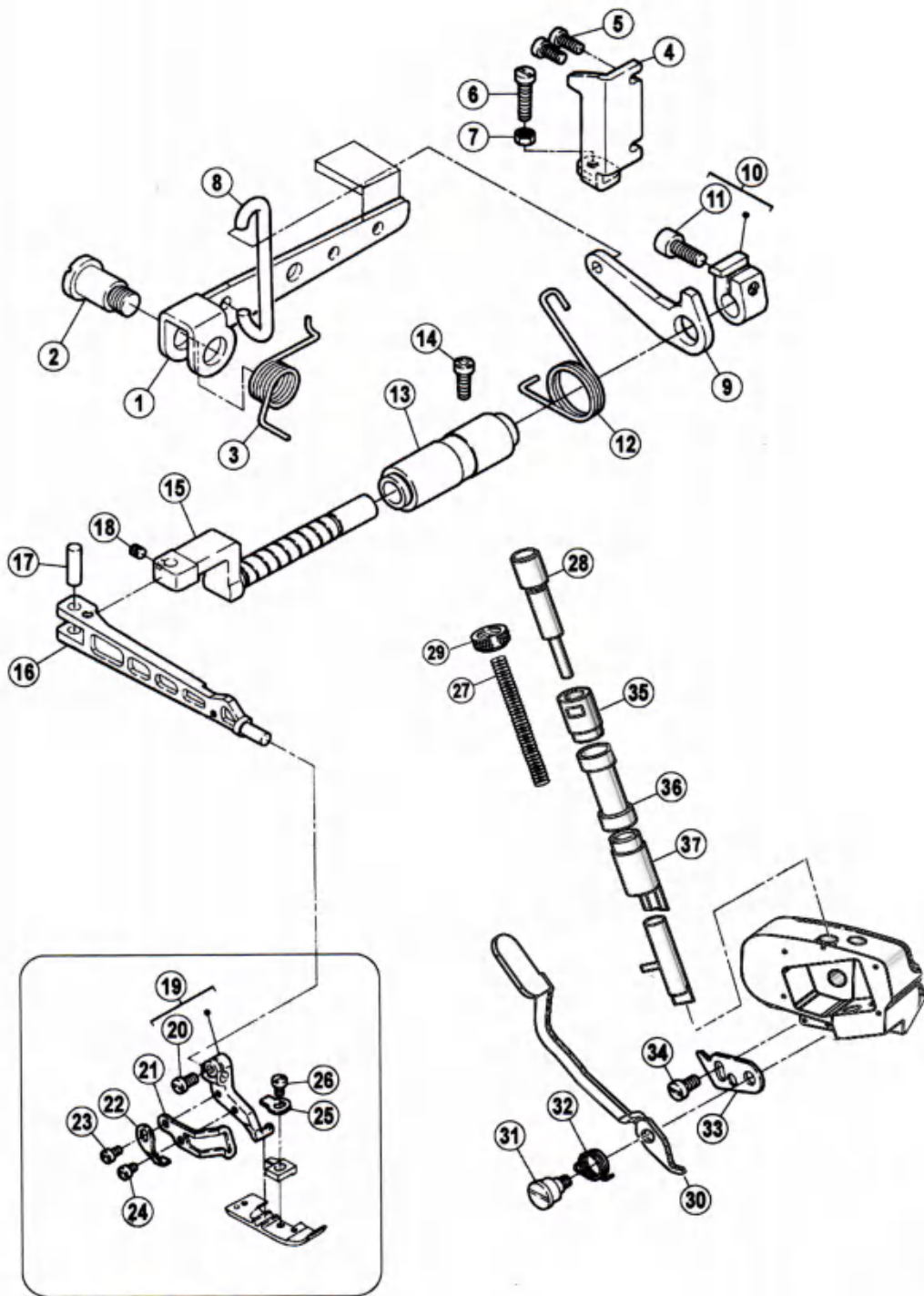
十七、送布机构/Feed Mechanism

序号 NO.	名称	Description	数量 (Number)		
			三线 three-thread	四线 four-thread	五线 five-thread
1	送布轴油封	Plug	1	1	1
2	开口挡圈7	Ring	1	1	1
3	送布轴	Shaft	1	1	1
4	送料轴垫圈	Washer	2	2	2
5	送料曲柄组件	Crank	1	1	1
6	螺钉M6×14	Screw	1	1	1
7	螺钉M3×6	Screw	2	2	2
8	滑块	Block	1	1	1
9	送料曲柄	Crank	1	1	1
10	螺钉M6×0.75×12	Screw	1	1	1
11	送布曲柄销垫圈	Washer	1	1	1
12	螺母M5	Nut	1	1	1
13	偏心销	Pin	1	1	1
14	卡簧	Ring	1	1	1
15	O型圈	Gasket	1	1	1
16	螺钉	Screw	1	1	1
17	挡圈	Collar	2	2	2
18	O型圈11.5×1.5	O Ring	1	1	1
19	偏心轴	Pin	1	1	1
20	螺钉M4×4	Screw	2	2	2
21	牙架组件	Feed Bar Assy.	1	1	1
22	差动齿牙架	Differential Feed Bar	1	1	1
23	滑柱	Block	1	1	1
24	主送齿牙架	Main Feed Bar	1	1	1
25	滑块	Block	1	1	1
26	连杆	Link	1	1	1
27	连杆套	Bushing	1	1	1
28	垫圈	Washer	1	1	1
29	螺钉M5×13	Screw	1	1	1
30	(三、四线)牙齿组件	Main Feed Dog Complete	1	1	1
31	螺钉M3.5×7.5	Screw	1	1	1
32	差动齿	Differential Feed Dog	1	1	1
33	辅助齿	Auxiliary	1	1	1
34	主送齿	Main Feed Dog	1	1	1
35	螺钉M3×6	Screw	1	1	1
36	螺钉M3.5×7.5	Screw	1	1	1
37	牙架挡块(左)	Feed Bar	1	1	1
38	螺钉M4×9	Screw	2	2	2
39	牙架油封	Oil Seal	2	2	2
40	牙架吸油管	Tube	1	1	1
41	牙架挡块(右)	Feed Bar	1	1	1
42	螺钉M4×9	Screw	2	2	2
43	挡油板	Feed Bar Oil Seal	1	1	1
44	螺钉M4×5	Screw	2	2	2
45	油管夹	Clamp	1	1	0
46	螺钉M4×5	Screw	1	1	1
45	油管夹	Clamp	0	0	1



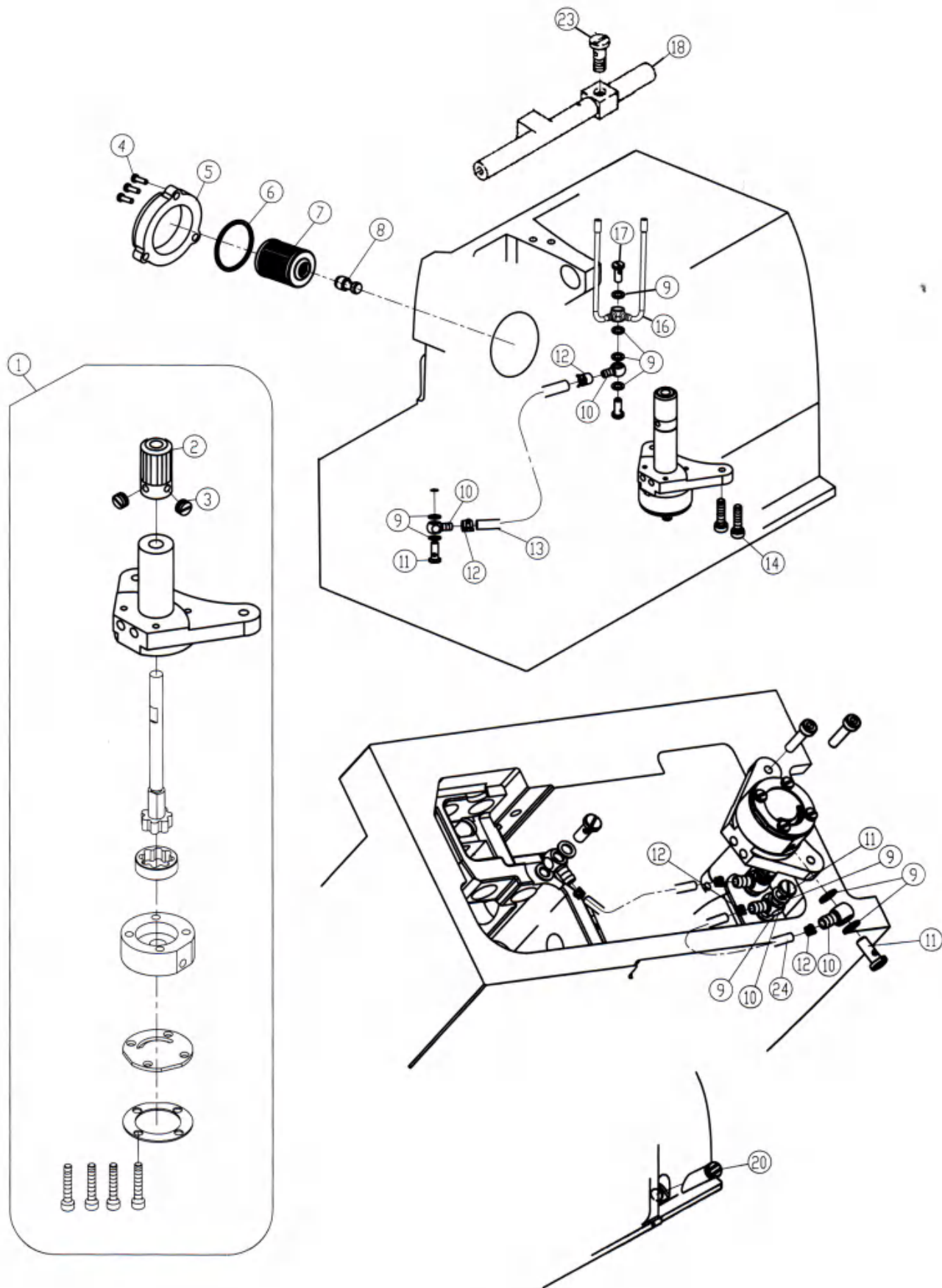
十八、剪布机构/Knife Drive Mechanism

序号 NO.	名称	Description	数量 (Number)		
			三线 three-thread	四线 four-thread	五线 five-thread
1	导向销	Pin	1	1	1
2	上刀架轴	Upper Knife Lever	1	1	1
3	挡块	Collar	2	2	2
4	螺钉M6×0.75×12	Screw	2	2	2
5	螺钉M4×16	Screw	2	2	2
6	上刀连杆	Connection	1	1	1
7	螺钉M4×6	Screw	1	1	1
8	上刀曲柄	Crank	0	0	1
9	上刀曲柄	Crank	1	1	0
10	螺钉M6×0.75×12	Screw	1	1	1
11	曲柄销	Pin	1	1	1
12	螺钉M3.5×7.5	Screw	1	1	1
13	上刀	Upper Knife	1	1	1
14	上刀座	Upper Knife Clamp	1	1	0
15	上刀座	Upper Knife Clamp	0	0	1
16	螺钉M4×10	Screw	1	1	1
17	绞刀安装板	Angled Upper Knife Clamp	0	0	1
18	切刀	Angled Upper	0	0	1
19	垫圈	Washer	0	0	1
20	螺钉M3×4	Screw	0	0	1
21	上刀凹角切	Angled Upper Knife Gib	0	0	1
22	挡板	Waste Guard	0	0	1
23	螺钉M4×20	Screw	0	0	1
24	下刀架	Lower Knife Holder	0	0	1
25	弹簧	Spring	1	1	1
26	下刀架	Lower Knife Holder	1	1	0
27	下刀	Lower Knife	1	1	1
28	压板	Lower Knife Clamp	1	1	1
29	螺钉M5×8	Screw	1	1	1
30	下刀架(H)	Lower Knife Holder(H)	0	0	1
31	螺钉M4×7.5	Screw	1	1	1
32	挡板	Lower Knife Holder Guard	1	1	1
33	螺钉M4×7.5	Screw	2	2	2



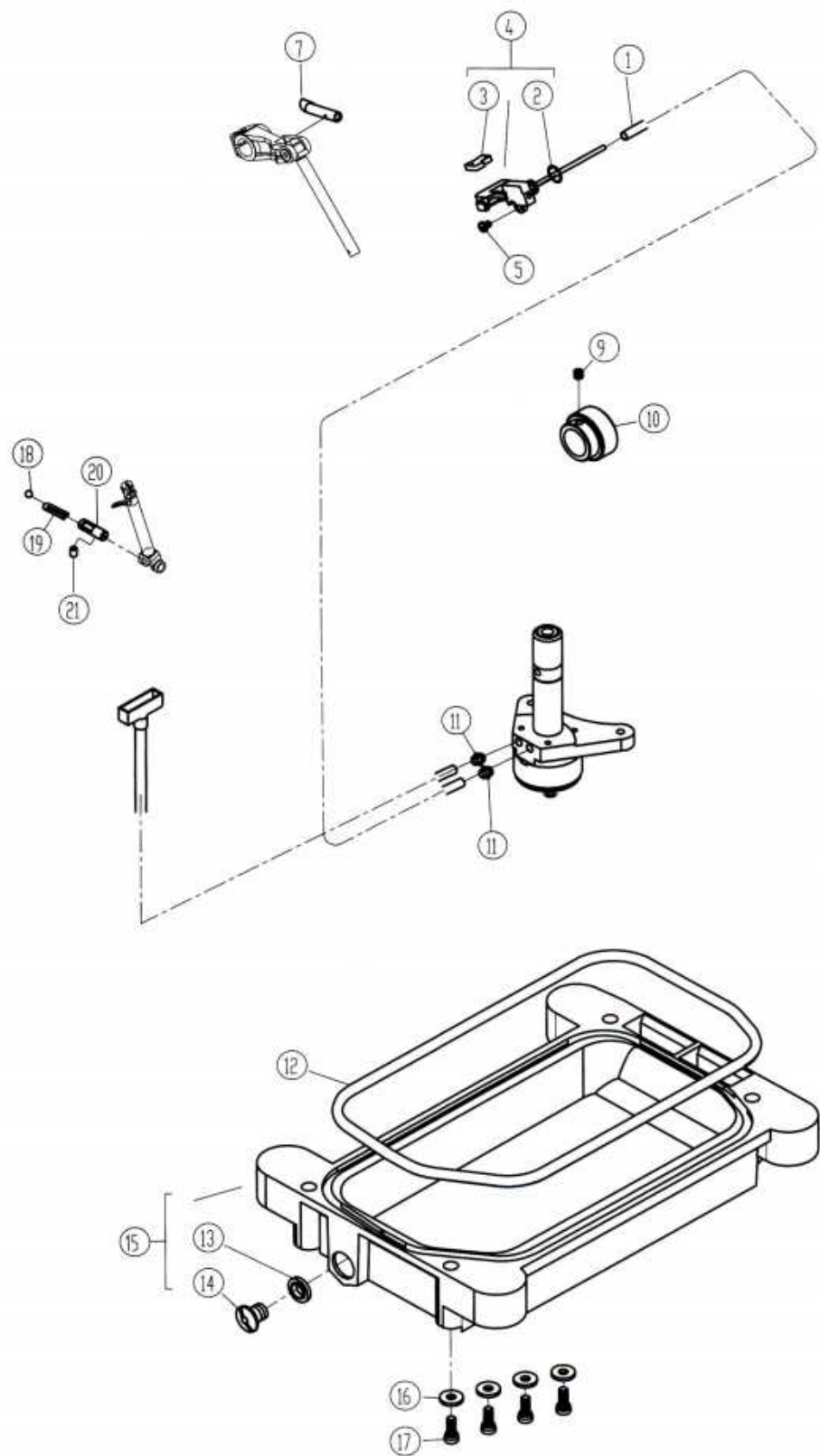
十九、抬压脚机构/Presser Foot Mechanism

序号 NO.	名称	Description	数量 (Number)		
			三线 three-thread	四线 four-thread	五线 five-thread
1	抬压脚杠杆	Lever	1	1	1
2	抬压脚螺钉M10	Screw	1	1	1
3	扭簧	Spring	1	1	1
4	角板	Stopper	1	1	1
5	螺钉M4×10	Screw	2	2	2
6	螺钉M4×24	Screw	1	1	1
7	螺母M5	Nut	1	1	1
8	弯钩	Link	1	1	1
9	抬压脚小杠杆	Lever	1	1	1
10	抬压脚复位圈	Collar	1	1	1
11	螺钉M6×0.75×13	Screw	1	1	1
12	小杠杆扭簧	Spring	1	1	1
13	压脚轴套	Bushing	1	1	1
14	螺钉M4×16	Screw	1	1	1
15	压脚轴	Shaft	1	1	1
16	压脚臂	Presser Arm	1	1	1
17	压脚臂连杆销	Pin	1	1	1
18	螺钉M4×0.5×4	Screw	1	1	1
19	压脚组件	Presser Foot Assy.	1	1	1
20	螺钉M3.5×7.5	Screw	1	1	1
21	压脚护手	Finge Guard	1	1	1
22	板簧	Stopper	1	1	1
23	螺钉M3×4.5	Screw	1	1	1
24	螺钉M3×4	Screw	1	1	1
25	垫片	Flat Spring	1	1	1
26	螺钉M3.5×5.5	Screw	1	1	1
27	压簧	Spring	1	1	1
28	调节螺柱	Adjusting Screw	1	1	1
29	螺母	Nut	1	1	1
30	压杆扳手	Lever	1	1	1
31	螺钉	Screw	1	1	1
32	压杆扳手扭簧	Spring	1	1	1
33	挡板	Stopper	1	1	1
34	螺钉M4×7.5	Screw	1	1	1
25	抬牙杆上套	Carry the tooth pole position	1	1	1
26	压紧杆密封套	Press the tight rod sealsleeve	1	1	1
37	抬牙杆下套	Lifting yoke	1	1	1



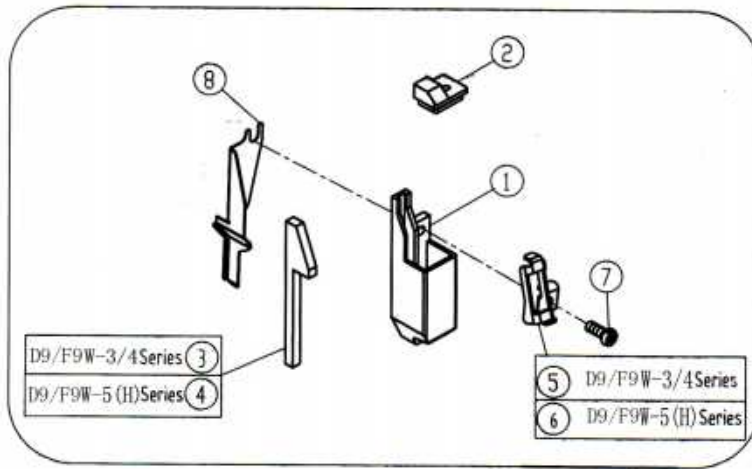
二十、供油机构(1)/Lubrication Mechanism(1)

序号 NO.	名称	Description	数量 (Number)		
			三线	四线	五线
			three-thread	four-thread	five-thread
1	油泵组件	Pump	1	1	1
2	蜗轮	Worm Wheel	1	1	1
3	螺钉M8×4.5	Screw	2	2	2
4	螺钉M4×12	Screw	3	3	3
5	滤油器盖	Oil clearer	1	1	1
6	密封圈	Seal ring	1	1	1
7	滤油器	Filter Element	1	1	1
8	滤油器接头	Oil cljerner joint	1	1	1
9	垫片	Washer	10	10	10
10	油管接头	Joint	4	4	4
11	过油螺钉	Joint Screw	4	4	4
12	油管卡簧	Clamp	4	4	4
13	油管Φ5×Φ8	Tube	0.15m	0.15m	0.15m
14	螺钉M4×16	Screw	2	2	2
16	上喷油器	Upper screem	1	1	1
17	过油螺钉	Joint Screw	1	1	1
18	接油盘	Oil guard	1	1	1
20	油标	Oil sight	1	1	1
23	螺钉M4×7.5	Screw	2	2	2
24	油管Φ5×Φ8	Tube	0.19m	0.19m	0.19m



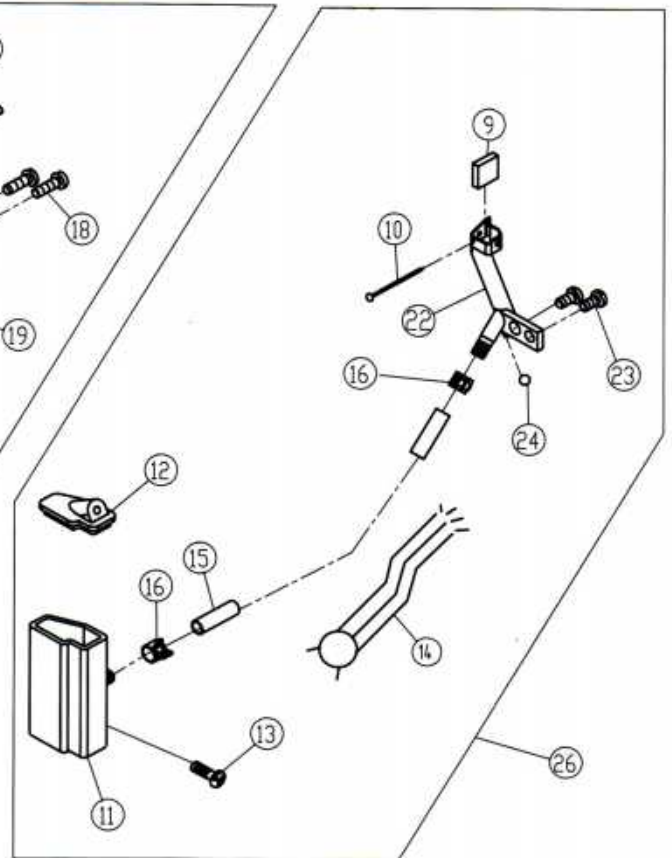
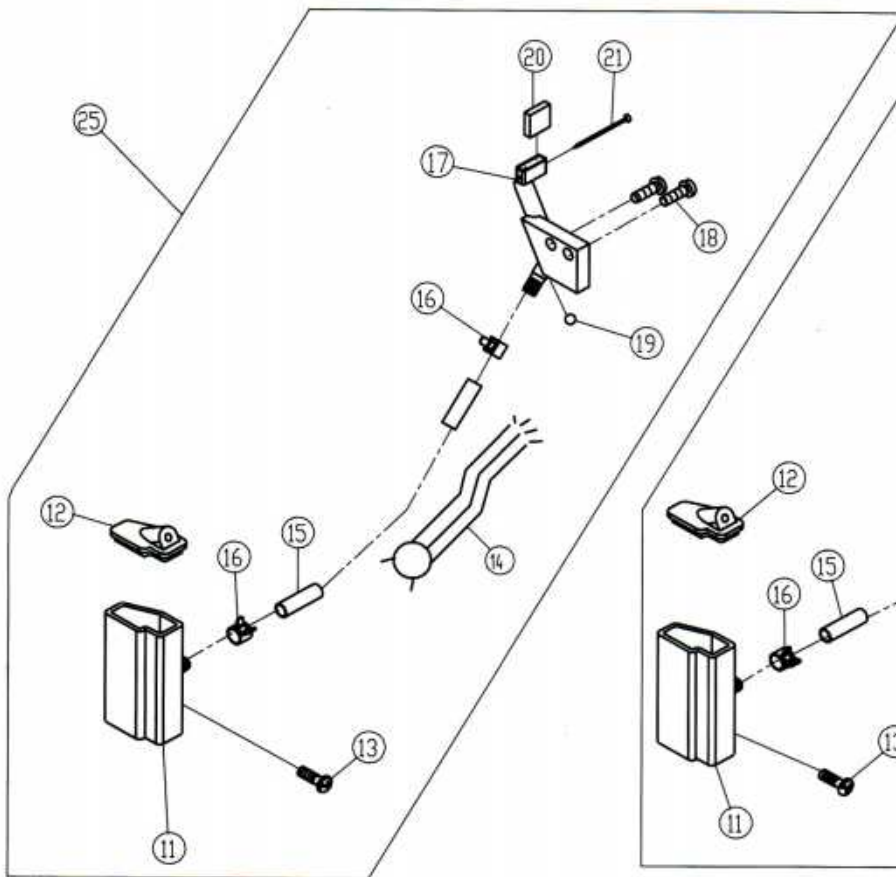
二十一、供油机构(2)/Lubrication Mechanism(2)

序号 NO.	名称	Description	数量 (Number)		
			三线 three-thread	四线 four-thread	五线 five-thread
1	油管 $\Phi 2 \times \Phi 4$	Tube	1	1	1
2	差动轴O型圈	O Ring	1	1	1
3	油毡	Felt	1	1	1
4	吸油嘴组件	Joint	1	1	1
5	螺钉M4×5	Screw	1	1	1
7	过油管	Pipe	1	1	1
9	螺钉M5×5	Screw	1	1	1
10	蜗杆	Worm	1	1	1
11	铜油嘴	Joint	2	2	2
12	油盘垫	Gasket	1	1	1
13	油盘放油垫圈	Washer	1	1	1
14	放油螺钉	Screw	1	1	1
15	油盘	Oil Reservoir	1	1	1
16	垫片	Washer	4	4	4
17	螺钉M5×12	Bolt	4	4	4
18	滚珠	Rubber plug	1	1	1
19	795油线	Oil Wick	1	1	1
20	上弯针滑杆过油器	Pipe Assy.	1	1	1
21	螺钉M4×4	Screw	1	1	1



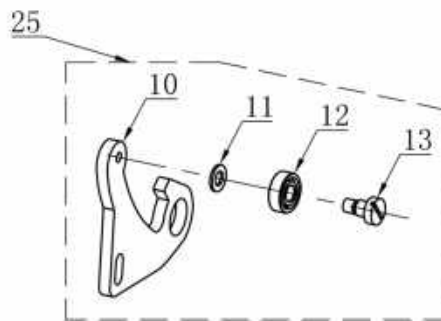
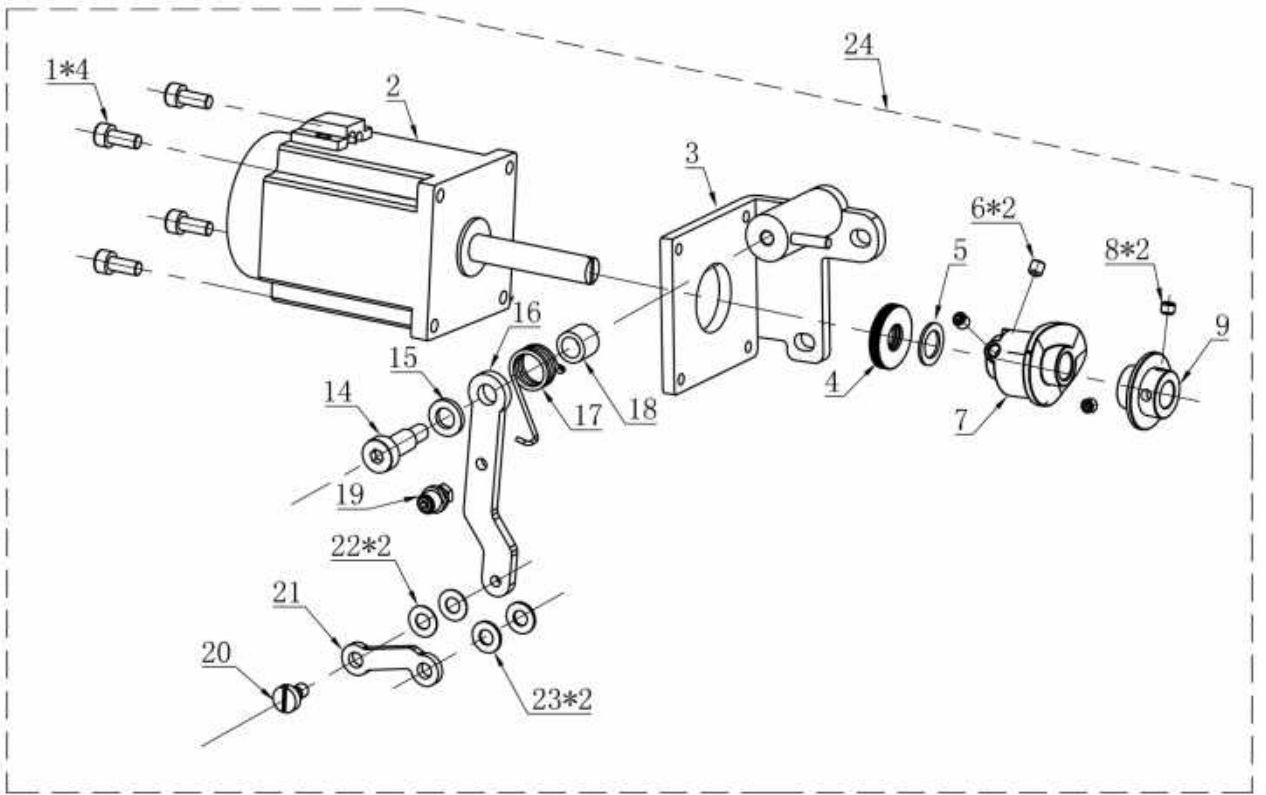
D9/F9W-3/4 Series

D9/F9W-5 (H) Series



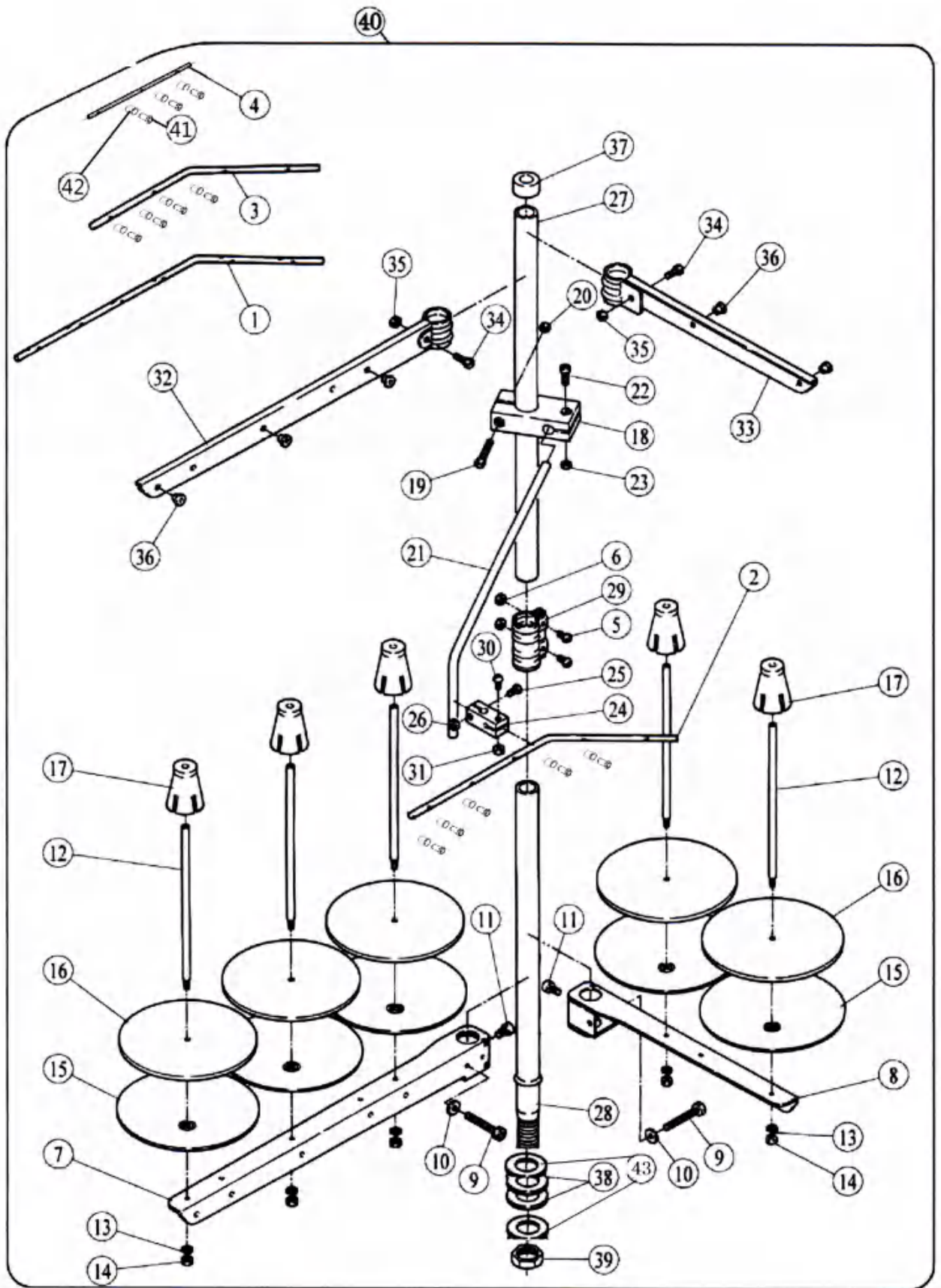
二十二、HR装置机构部件/H. R. Device

序号 NO.	名称	Description	数量 (Number)		
			三线 three-thread	四线 four-thread	五线 five-thread
1	上硅油盒	Silicone Oil Reservoir	1	1	1
2	上硅油盒盖	Cover	1	1	1
3	油毡	Felt	1	1	0
4	毛毡	Felt	0	0	1
5	过线架	Thread Guide	1	1	0
6	过线架	Thread Guide	0	0	1
7	螺钉M4×10	Screw	1	1	1
8	挡油板	Cover	1	1	1
9	油毡	Oil Felt	0	0	1
10	别针	Pin	0	0	1
11	下硅油盒	Silicone Oil Reservoir	1	1	0
12	下硅油盒盖	Cover	1	1	1
13	组合螺钉M4×12	Screw	1	1	1
14	油线	Oil Wick	1	1	1
15	油管	Tube	1	1	1
16	油管夹	Clamp	2	2	2
17	针线冷却器	Needle Thread Lubricator	1	1	0
18	螺钉M4×10	Screw	2	2	0
19	滚珠	Plug	1	1	0
20	油毡	Oil Felt	1	1	0
21	别针	Pin	1	1	0
22	针线冷却器	Needle Thread Lubricator	0	0	1
23	螺钉M4×7.5	Screw	0	0	2
24	滚珠	Plug	0	0	1
25	下硅油盒组件	Silicone Oil Reservoir	1	1	0
26	下硅油盒组件A	Silicone Oil Reservoir	0	0	1



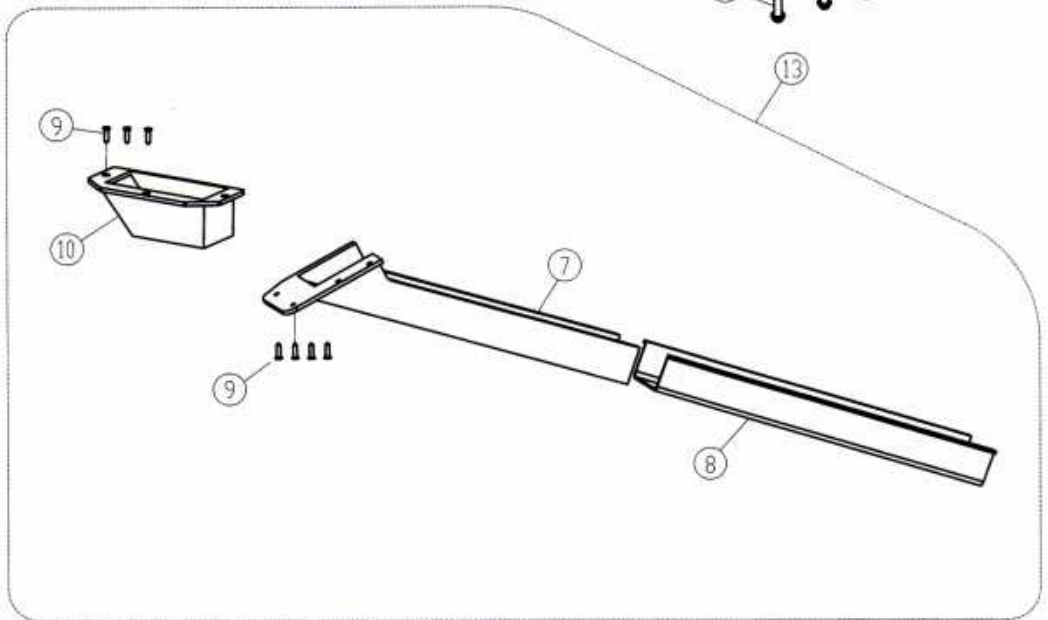
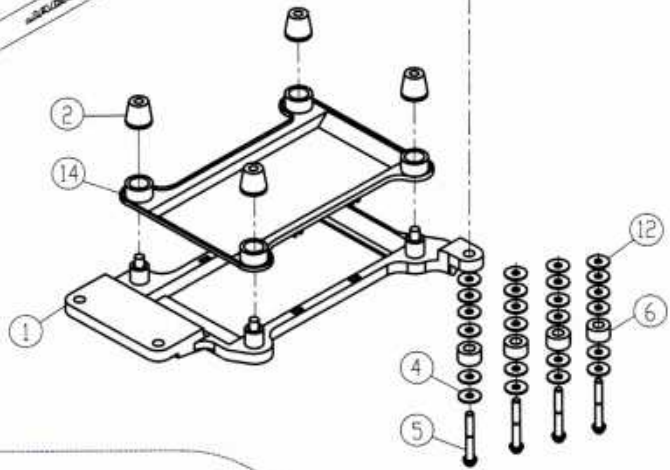
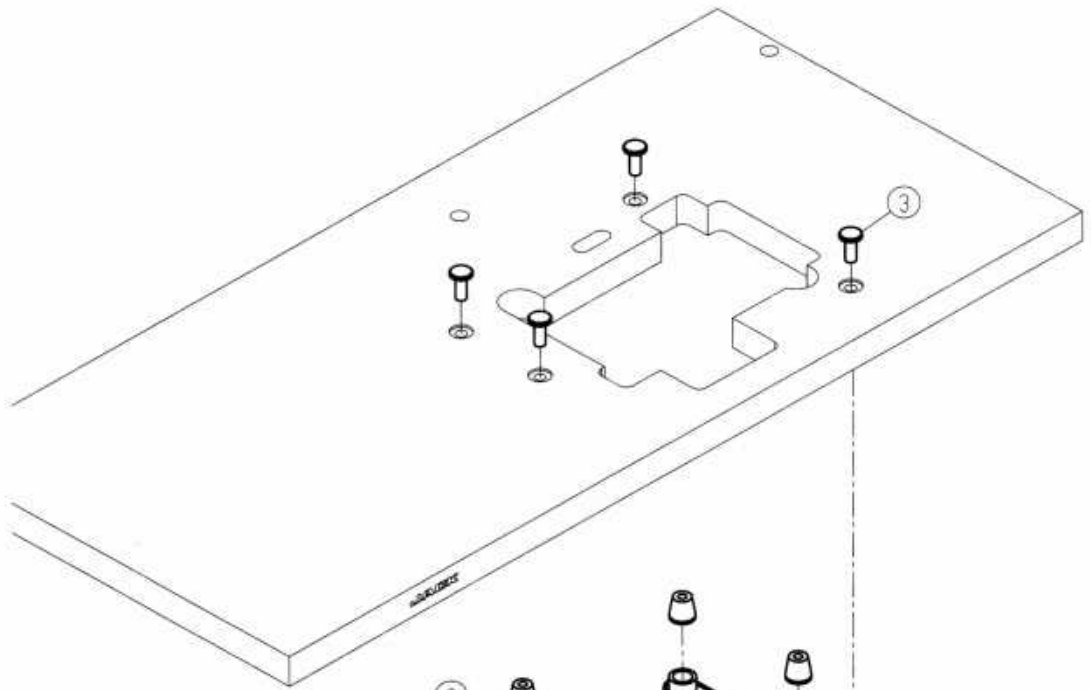
二十三、步进电机组件/Stepper motor assembly

序号 NO.	名称	Description	数量 (Number)		
			三线 three-	四线 four-thread	五线 five-thread
1	内六角圆柱头螺钉 (M5*12)	Screw	4	4	4
2	60步进电机 (BY)	Stepping motor	1	1	1
3	步进电机安装板组 (JD)	Stepper motor mounting plate	1	1	1
4	4mm厚平面轴承	Plane bearing	1	1	1
5	C级平垫片 ($\phi 15.5 \times \phi 10.5 \times 1.1$)	Flat gasket	1	1	1
6	内六角无头凹端紧固螺钉 (M5*5)	Screw	2	2	2
7	JD款双凸轮 (B-I)	Double cam	1	1	1
8	内六角无头凹端紧固螺钉 (M5*5)	Screw	2	2	2
9	剪刀限位环	Scissors limit ring	1	1	1
10	步进压脚板 (JD)	Step presser foot plate	1	1	1
11	C级小垫片 ($\phi 10 * \phi 5.3 * H1$)	Flat gasket	1	1	1
12	轴承	Bearing	1	1	1
13	轴位螺钉 3/16*32 $\phi 6*4$	Screw	1	1	1
14	塞打螺钉 ($\phi 8 * 12 * M6$)	Screw	1	1	1
15	平垫片 ($\phi 15 * \phi 8.35 * H1.9$)	Flat gasket	1	1	1
16	剪刀动作板 (HK)	Scissor action plate	1	1	1
17	JD款步进扭簧	Torsional spring	1	1	1
18	垫套1	Spacer bush	1	1	1
19	平车剪刀组件	Scissor assembly	1	1	1
20	轴位螺钉 (3/16-32* $\phi 6*4$)	Screw	1	1	1
21	剪刀曲柄连接板 (JD)	Scissors crank connection plate	1	1	1
22	石墨垫片 ($\phi 12 * \phi 6.5 * H0.5$)	Flat gasket	2	2	2
23	平垫片 ($\phi 11 * \phi 6.4 * H1.5$)	Flat gasket	2	2	2
24	步进电机含凸轮剪线组 (JD)	Stepper motor assembly	1	1	1
25	抬压脚曲柄组 (JD)	Lift pin crank assembly	1	1	1



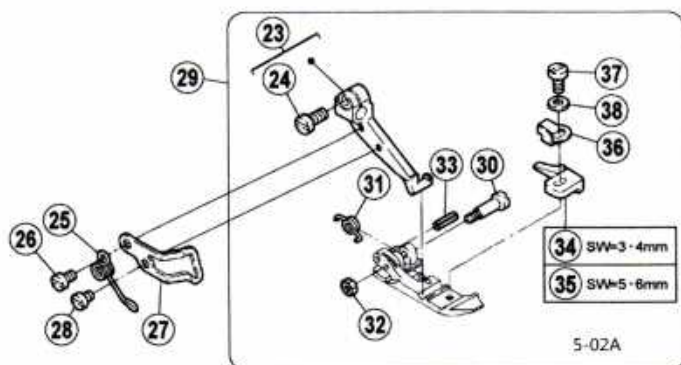
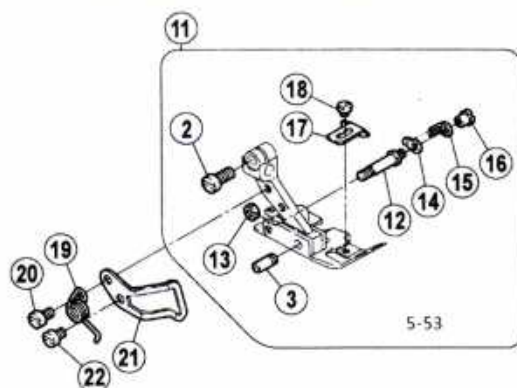
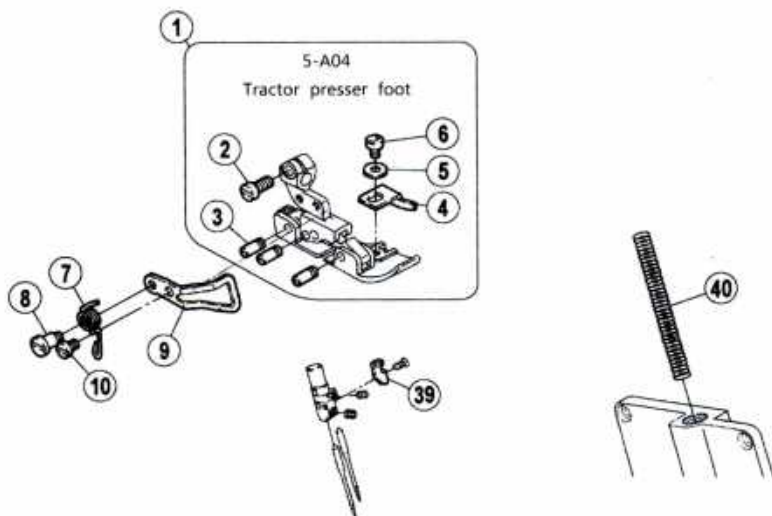
二十四、线架部件/Thread Stand

序号 NO.	名称	Description	数量 (Number)		
			三线	四线	五线
			three-thread	four-thread	five-thread
1	过线棒	Thread guide (6-spool)	0	0	1 (六线)
2	过线棒	Thread Guide (5-spool)	0	0	1
3	过线棒	Thread Guide (4-spool)	0	1	0
4	过线棒	Thread Guide (3-spool)	1	0	0
5	螺钉	Screw	2	2	2
6	螺母M5	Nut	2	2	2
7	长线架	Thread Hanger	1	0	1
8	短线架	Thread Hanger	0	2	1
9	螺钉	Screw	1	2	2
10	垫片	Washer	1	2	2
11	螺钉	Screw	1	2	2
12	线棒	Spool Ptn	3	4	5
13	垫片	Spring Washer	3	4	5
14	螺母	Nut	3	4	5
15	线托盘	Spool Seat Disc	3	4	5
16	托盘垫	Spool Mat	3	4	5
17	线固定套	Spool Cushion	3	4	5
18	棒架	Holder	1	1	1
19	螺钉	Screw	1	1	1
20	螺母	Nut	1	1	1
21	导线棒	Thread Guide Arm	1	1	1
22	螺钉	Screw	1	1	1
23	螺母	Nut	1	1	1
24	固定器	Holder	1	1	1
25	螺钉	Screw	1	1	1
26	螺母	Nut	1	1	1
27	线架上棒	Column Pipe (upper)	1	1	1
28	线架下棒	Column Pipe (lower)	1	1	1
29	锁紧卡固	Joint	1	1	1
30	螺钉	Screw	1	1	1
31	螺母	Nut	1	1	1
32	长过线架	Thread Hanger	1	0	1
33	短过线架	Thread Hanger	0	2	1
34	螺钉	Screw	2	2	2
35	螺母M5	Nut	2	2	2
36	过线套	Thread Eyelet	3	4	5
37	棒帽	Rod Cap	1	1	1
38	垫片	Washer	2	2	2
39	螺母	Nut	1	1	1
40	线架组件 (三线)	Thread Hanger Assy.	1	0	0
	线架组件 (四线)	Thread Hanger Assy.	0	1	0
	线架组件 (五线)	Thread Hanger Assy.	0	0	1
	线架组件 (六线)	Thread Hanger Assy.	0	0	1 (六线)
41	过线管	Thread guide pipe	3	4	5
42	胶套	Plastic Cover	3	4	5
43	垫片	Washer	2	2	2



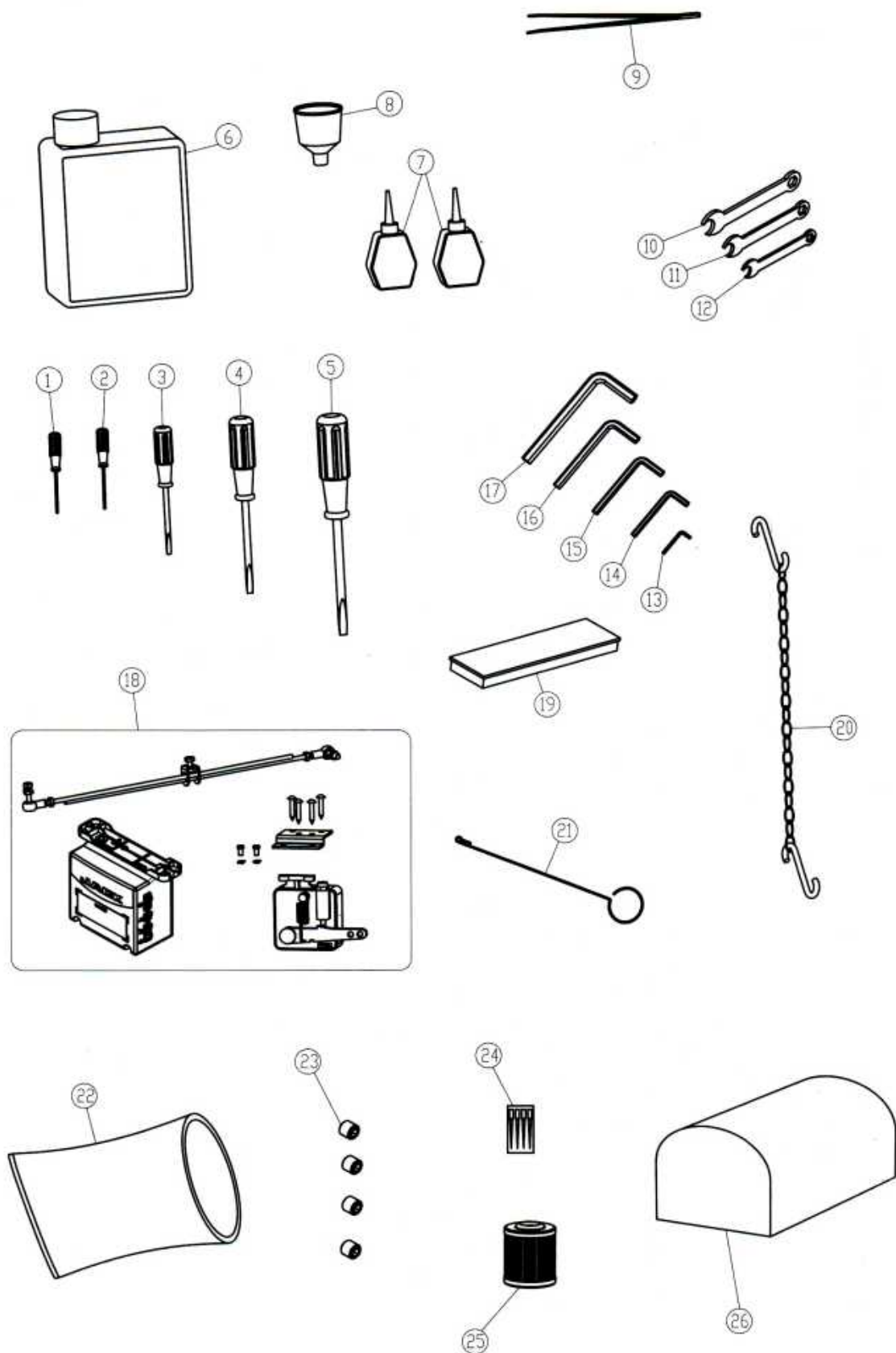
二十五、托盘部件/Part For Semi-Submerged Installation

序号 NO.	名称	Description	数量 (Number)		
			三线 three-thread	四线 four-thread	五线 five-thread
1	托盘架	Rest Board	1	1	1
2	托盘防震连接垫	Cushion Rubber	4	4	4
3	托盘固定螺母	Nut	4	4	4
4	大垫圈	Spacer	16	16	16
5	托盘内六角螺钉	Screw	4	4	4
6	防震套	Washer	4	4	4
7	排料槽 I	Waste Chute	1	1	1
8	排料槽 II	Waste Chute	1	1	1
9	排料槽座螺钉	Screw	7	7	7
10	排料槽座	Screw	1	1	1
12	减震垫圈	Spring Washer	8	8	8
13	落料斗组件	Waste Chute Assy.	1	1	1
14	托盘接油盘	oil pan	1	1	1



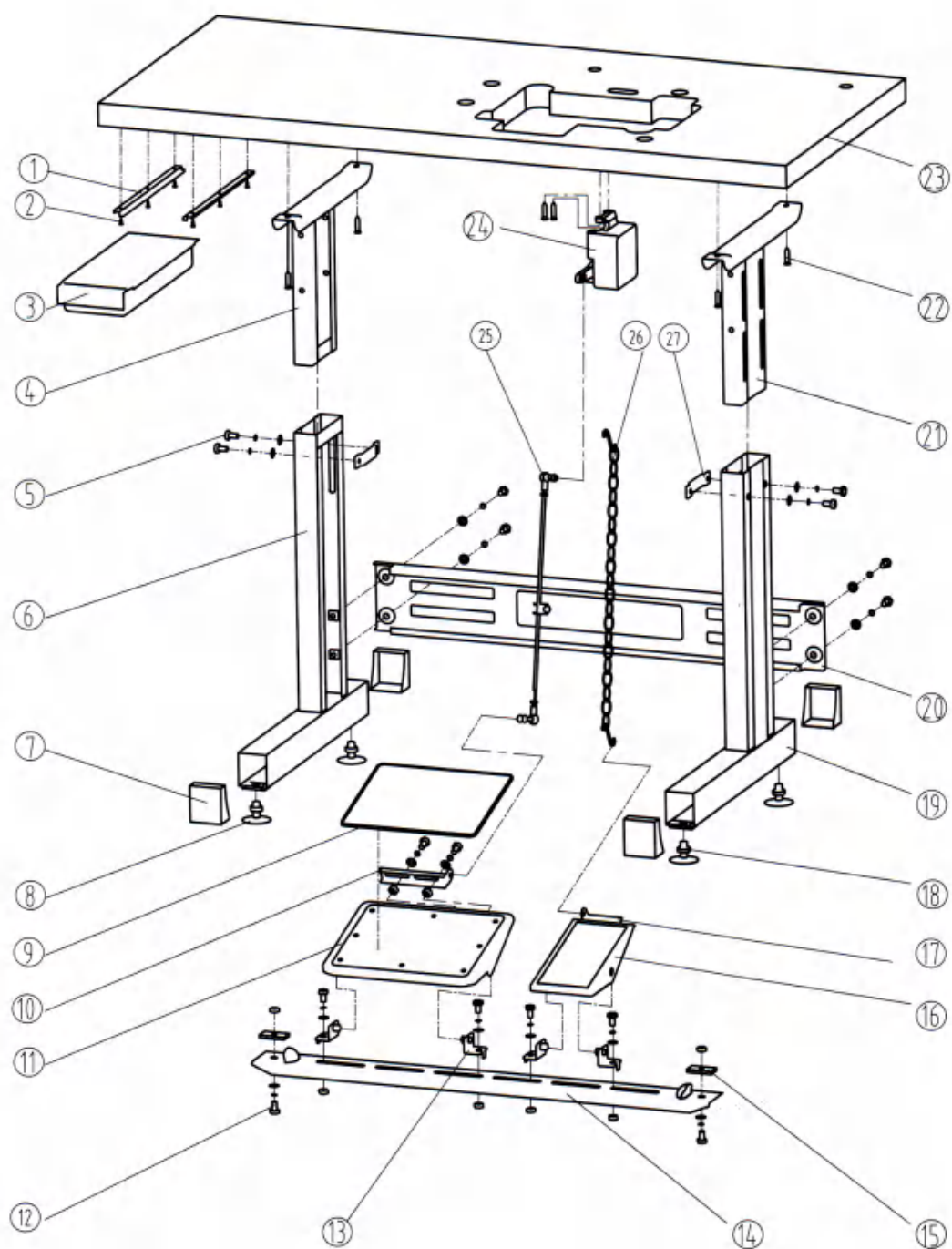
二十六、专用零件/Specific Parts

序号 NO.	名称	Description	数量 (Number)		
			三线 three-thread	四线 four-thread	五线 five-thread
1	压脚组件	Presser Foot Assy.	0	0	1
2	螺钉M3.5×7.5	Screw	0	0	2
3	销	Pin	0	0	4
4	护料压板	Fabric Guard	0	0	1
5	垫圈3	Washer	0	0	1
6	螺钉	Screw	0	0	1
7	压脚弹簧	Spring	0	0	1
8	轴位螺钉	Screw	0	0	1
9	压脚挡片	Finger Guard	0	0	1
10	螺钉M3×4.5	Screw	0	0	1
11	压脚组件	Presser Foot Complete	0	0	1
12	销	Pin	0	0	1
13	螺母	Nut	0	0	1
14	销	Latch	0	0	1
15	弹簧	Spring	0	0	1
16	螺母	Nut	0	0	1
17	辅助压脚	Fabric Guard	0	0	1
18	螺钉M1×2.3	Screw	0	0	1
19	压脚弹簧	Spring	0	0	1
20	螺钉M3×4.5	Screw	0	0	1
21	压脚护手	Finger Guard	0	0	1
22	螺钉M3×4	Screw	0	0	1
23	压脚组件	Holder	0	0	1
24	螺钉M3.5×7.5	Screw	0	0	1
25	压脚弹簧	Spring	0	0	1
26	螺钉M3×4.5	Screw	0	0	1
27	压脚护手	Finger Guard	0	0	1
28	螺钉M3×4	Screw	0	0	1
29	压脚组件	Presser Foot Complete	0	0	1
30	销	Pin	0	0	1
31	弹簧	Spring	0	0	1
32	螺母	Nut	0	0	1
33	销	Spring Pin	0	0	1
34	压脚爪	Presser Foot	0	0	1
35	压脚爪	Presser Foot	0	0	1
36	安装板	Bracket	0	0	1
37	螺钉M3.5×5.5	Screw	0	0	1
38	垫片	Washer	0	0	1
39	过线板	Thread Eyelet	0	0	1
40	压簧	Spring	0	0	1



二十七、随机附件部分 Accessories Assemblies

序号 Ref. No	名称	Description	数量 (Number)		
			三线	四线	五线
			Three-thread	Four-thread	Five-thread
1	直柄内六角螺丝刀 (1.5mm)	Hexagonal wrench/1.5mm	1	1	1
2	直柄内六角扳手 (1.6mm)	Hexagonal wrench/1.6mm	1	1	1
3	螺丝刀 (小)	Screwdriver (S)	1	1	1
4	螺丝刀 (中)	screwdriver (M)	1	1	1
5	螺丝刀 (大)	screw driver (L)	1	1	1
6	油壶	Oil container	1	1	1
7	小油壶 (尖嘴)	Oil container	2	2	2
8	漏斗	Tundish	1	1	1
9	镊子	Tweezers	1	1	1
10	795-1908扳手 (8mm)	Wrench/8mm	1	1	1
11	795-1907扳手 (7mm)	Wrench/7mm	1	1	1
12	795-1906扳手 (6mm)	Wrench/6mm	1	1	1
13	内六角扳手 (2mm)	Hexagonal wrench/2mm	1	1	1
14	内六角扳手 (3mm)	Hexagonal wrench/3mm	1	1	1
15	内六角扳手 (4mm)	Hexagonal wrench/4mm	1	1	1
16	内六角扳手 (5mm)	Hexagonal wrench/5mm	1	1	1
17	内六角扳手 (6mm)	Hexagonal wrench/6mm	1	1	1
18	DI 直驱专用部件	DI Special Parts	1	1	1
19	附件盒	Attachment box	1	1	1
20	795-1919脚踏板链	Chain	1	1	1
21	线勾	Needle threader	0	0	1
22	机头塑料袋	Plastic machine head bag	1	1	1
23	螺钉	Screw	4	4	4
24	机针	Needle	4	4	4
25	滤油器	Filter element	1	1	1
26	机头罩	Machine head cover	1	1	1



二十八、机架部件/machine stand table assy

序号 NO.	名称	Description	数量 (Number)		
			三线	四线	五线
			three-thread	four-thread	five-thread
1	零件导轨	Drawer slider	2	2	2
2	螺钉	Screw	6	6	6
3	零件盒	Plastic drawer	1	1	1
4	机架上册左	Upper stand (left)	1	1	1
5	M8*11螺栓垫圈组合件	Bolt washer assembly M8*11	12	12	12
6	机架下册左	Lower stand (left)	1	1	1
7	支座护罩	Rubber cover	4	4	4
8	支座	Stand height adjusting base	4	4	4
9	脚踏板垫 (大)	Large pedal pad cushion	1	1	1
10	踏板连接件 (大)	Large pedal bracket	1	1	1
11	脚踏板 (大)	Large pedal pad	1	1	1
12	M6*11螺栓垫圈组合件	Bolt washer assembly M6*11	2	2	2
13	踏板固定件	Pedal bracket	4	4	4
14	踏板安装板	Lower bar	1	1	1
15	踏板安装板固定板	Bolt plate	2	2	2
16	脚踏板 (小)	Small pedal	1	1	1
17	踏板连接件 (小)	Small pedal bracket	1	1	1
18	螺母	Nut M8	10	10	10
19	机架下册右	Lower stand(right)	1	1	1
20	机架连接板	Front bar	1	1	1
21	机架上册右	Upper stand (right)	1	1	1
22	螺钉	Screw	6	6	6
23	台板	Table	1	1	1
24	变速器	Transmission	1	1	1
25	拉杆组件	Motor connecting rod	1	1	1
26	脚踏板链组件	Pedal chain components	1	1	1
27	机架固定板	Bolt plate	2	2	2

型号 MACHINE TYPE /SPEC	间距		针板 NEEDLE PLATE	压布 牙组件 MAIN FEED DOG ASS	压脚组件 PRESSER FOOT ASS	上弯针 UPPER LOOPERS	下弯针 LOWER LOOPERS	连续弯针 CHAINSTITCH LOOPERS	针夹 NEEDLE HOLDER	机针 NEEDLE
	MG	SW								
D9/F9 w 3-02/233	—	4	20715005	2071400100 20714007 20714008	2071600500	20717004	20717006	—	20734001	DK × 27#9
D9/F9 w 3-32R2/223	—	2	20715010	2071402000	2071601000	20717004	20717006	—	20734001	DK × 27#9
D9/F9 w 3-82/233	—	4	20715019	20714006	2071601700	20717004	20717006	—	20734001	DK × 27#9
D9/F9 w 3-12/233	—	4.5	20715009	2071402000	2071600800	20717004	20717006	—	20734001	DK × 27#9
D9/F9 w 4-83/323	2	4	20715020	2071402200	2071601800	20717004	20717005	—	20734002	DK × 27#9
D9/F9 w 4-003/333	2	4	20715002	2071400100	2071600200	20717004	20717005	—	20734002	DK × 27#9

型号 MACHINE TYPE /SPEC	间距		上刀 UPPER KINIFE	下刀 LOWER KINIFE	弯针护针		机针护针	
	MG	SW			前 FRONT	后 REAR	前 FRONT	后 REAR
D9/F9 w 3-02/233	—	4	20619002	20619003	—	—	20717001	20717002
D9/F9 w 3-32R2/223	—	2	20619002	20119002	—	—	20717001	20717002
D9/F9 w 3-82/233	—	4	20619002	20119002	—	—	20717001	20717002
D9/F9 w 3-12/233	—	4.5	20619002	20119002	—	—	20717001	20717002
D9/F9 w 4-83/323	2	4	20619002	20119002	—	—	20717001	20717002
D9/F9 w 4-003/333	2	4	20619002	20619003	—	—	20717001	20717002

型号 MACHINE TYPE /SPEC	间距 GAUGE		针板 NEEDLE PLATE	送布 牙组件 MAIN FEED DOG ASS	压脚组件 PRESSER FOOT ASS	上弯针 UPPER LOOPER	下弯针 LOWER LOOPER	连线弯针 CHAINSTITCH LOOPER	针夹 NEEDLE HOLDER	机针 NEEDLE
	NG	SW								
D9/F9 4-M03/333/H/M	2	4	20715002	2071400100	2071600200	20717050	20700248	—	20734002	DC×27#9
D9/F9 W 5-03/233	5	5	20715016	2071401700	2071601500	20717004	20717006	20712047	20734004	DC×27#11
D9/F9 W 5-03/333	3	4	20715008	2071400400	2071600600	20717004	20717006	20712047	20734003	DC×27#14
D9/F9 W 5-A04/435	5	6	20715050	2071405200	2061604000	20717050	20717006	20717051	20719056	DC×27#19
D9/F9 W 5-02A/223	3	4	20715051	2071405400	20716050	20717004	20717006	20712047	20734003	DC×27#11

型号 MACHINE TYPE /SPEC	间距 GAUGE		上刀 UPPER KINIFE	下刀 LOWER KINIFE	弯针护叶 OVERLOCK NEEDLE GUARD		机针护针 CHAINSTITCH NEEDLE	
	NG	SW			前 FRONT	后 REAR	前 FRONT	后 REAR
D9/F9 W 4-M03/333/H/M	2	4	20619002	20119002	—	—	20717001	20717002
D9/F9 W 5-03/233	5	5	20719002	20619003	20717008	20717002	20712045	20701032
D9/F9 W 5-03/333	3	4	20619002	20619003	20717008	20717002	20712045	20701032
D9/F9 W 5-A04/435	5	6	20719050	20701053	20717008	20717002	20712045	20701032
D9/F9 W 5-02A/223	3	4	20719001	20619003	20717008	20717002	20712045	20701032